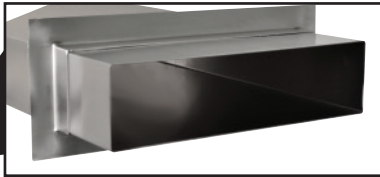




STAINLESS STEEL
VR-1 VENTILATION RISER

Top View



Item #: _____ Qty #: _____
 Model #: _____
 Project #: _____



Weight: 42lbs.

FEATURES:

Type 300 Stainless Steel
 Adjustable ceiling trim collar
 Accommodates standard 4"x16"
 Vent Hood Duct
 (custom sizes available - consult factory)

CONSTRUCTION:

All TIG welded
 No open seams
 Welded areas blended to match adjacent
 surfaces and to satin finish

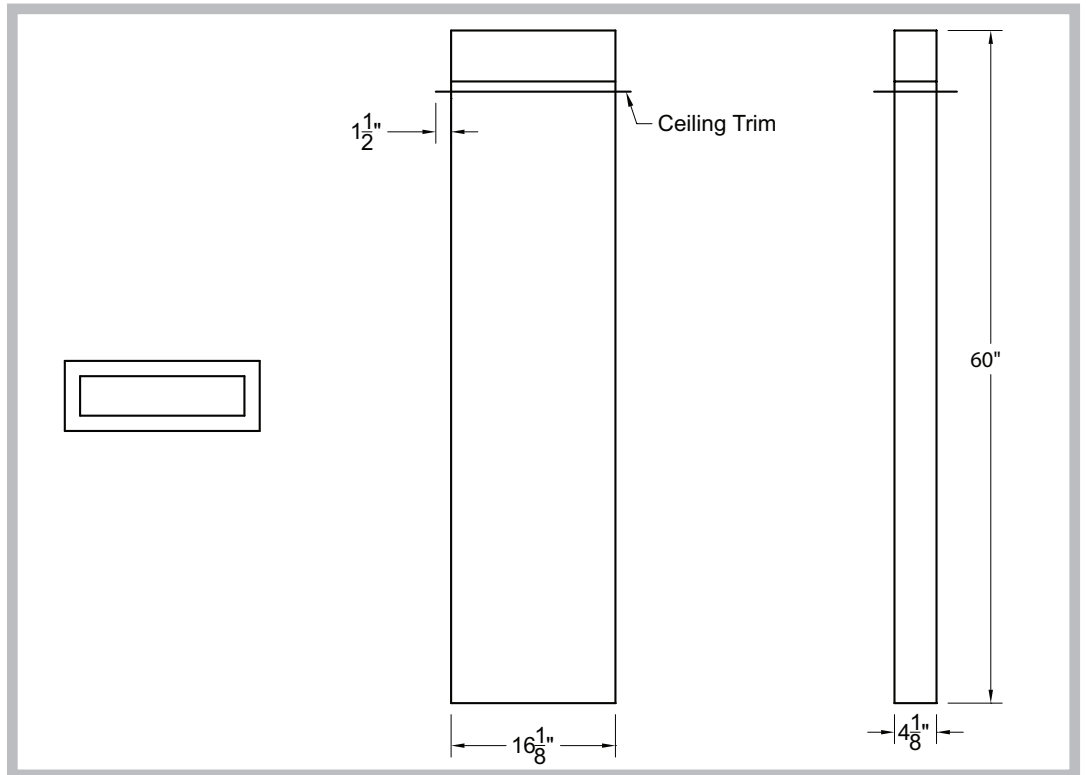
MATERIAL:

18 Gauge Type 300 Stainless Steel

DIMENSIONS and SPECIFICATIONS

TOL ± .500"

ALL DIMENSIONS ARE TYPICAL



Customer Service Available To Assist You 1-800-645-3166 8:30 am - 7:00 pm E.S.T.

For Orders & Customer Service:
 Email: customer@advancetabco.com or Fax: 631-242-6900

For Smart Fabrication™ Quotes:
 Email: smartfab@advancetabco.com or Fax: 631-586-2933