



# STAINLESS STEEL DOUBLE SIDED SELF-SERVE BUFFET SHELF With Built-in Food Shield

Item #: \_\_\_\_\_ Qty #: \_\_\_\_\_

Model #: \_\_\_\_\_

Project #: \_\_\_\_\_



### FEATURES:

- 19-1/4" high.
- Built-in double sided acrylic food shields.
- Food shields have 10" clearance from deck.
- Removable stainless steel top shelf.
- Optional acrylic side panels available to further meet additional NSF requirements (2 panels per end).
- Field installation available.



### Acrylic Side Panels for Buffet Shelf

Add side panels to meet additional NSF requirements (2 panels per end)

- TBP-1 One End
- TBP-2 Two Ends

Field Installation Available

MODEL	Length (L)		Wt.	Cubic Feet
TBS-2	32"	Fits 2-Well Unit	34 lbs.	2
TBS-3	47-3/8"	Fits 3-Well Unit	42 lbs.	3
TBS-4	62-5/8"	Fits 4-Well Unit	47 lbs.	4
TBS-5	78"	Fits 5-Well Unit	55 lbs.	4
TBS-6	93-1/8"	Fits 6-Well Unit	63 lbs.	4

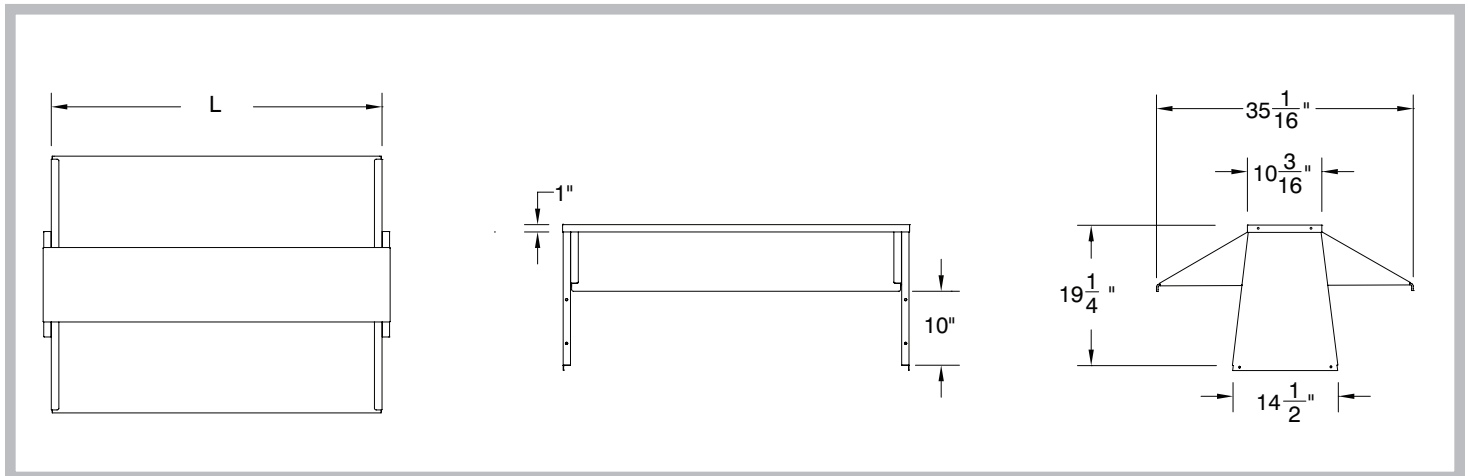
### MATERIAL:

- Shelf: stainless steel
- Food Shields: acrylic

## DETAILS and SPECIFICATIONS

TOL Overall: ± .500" Interior: ± .250"

ALL DIMENSIONS ARE TYPICAL



Customer Service Available To Assist You **1-800-645-3166** 8:30 am - 7:00 pm E.S.T.

For Orders & Customer Service:

Email: customer@advancetabco.com or Fax: 631-242-6900

For Smart Fabrication™ Quotes:

Email: smartfab@advancetabco.com or Fax: 631-586-2933