



SPILLAGE PANS



FEATURES:

For Steam Tables & Drop-In Units
 Heavy duty construction
 Can be used with optional Adapter Bars:

SU-45A: 12" x 1"

SU-45B: 20" x 3"



Adapter Bars # SU-45A Shown

Item #: _____ Qty #: _____
 Model #: _____
 Project #: _____

MATERIAL:

SP-A: 20 gauge Aluminum

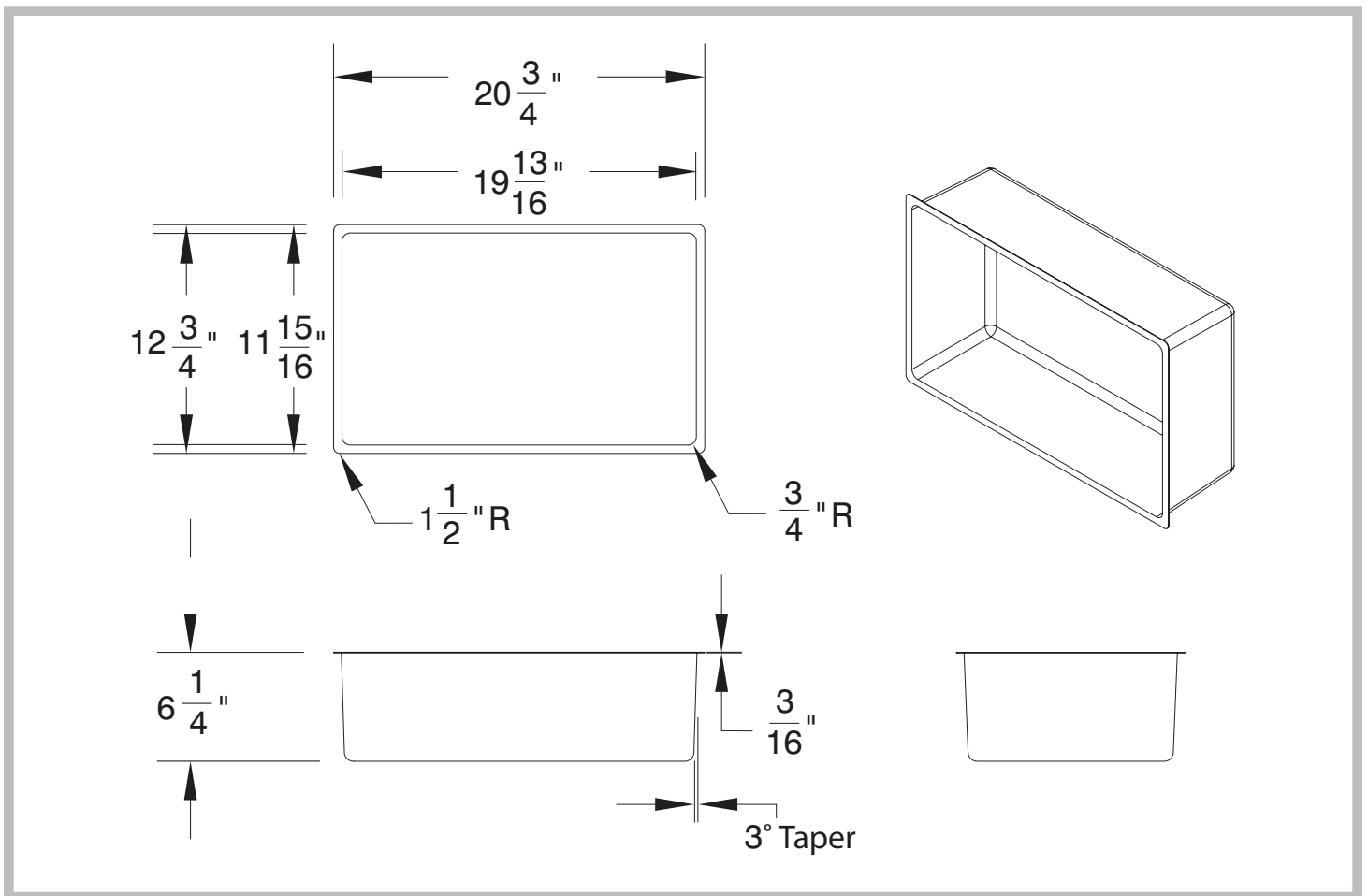
SP-S: 22 gauge, #304 stainless steel



DETAILS and SPECIFICATIONS

TOL Overall: ± .500" Interior: ± .250"

ALL DIMENSIONS ARE TYPICAL



<p>ADVANCE TABCO SMART FABRICATION™ www.advancetabco.com</p>	<p>Customer Service Available To Assist You 1-800-645-3166 8:30 am - 7:00 pm E.S.T.</p>	
	<p>For Orders & Customer Service: Email: customer@advancetabco.com or Fax: 631-242-6900</p>	<p>For Smart Fabrication™ Quotes: Email: smartfab@advancetabco.com or Fax: 631-586-2933</p>
	<p>ADVANCE TABCO is constantly engaged in a program of improving our products. Therefore, we reserve the right to change specifications without prior notice. © ADVANCE TABCO, DEC. 2019 REF-V</p>	