



STAINLESS STEEL  
**DROP-IN SINKS**  
 Smart Series™ Single & Double Bowl Drop-Ins



**Item #:** \_\_\_\_\_ **Qty #:** \_\_\_\_\_

**Model #:** \_\_\_\_\_

**Project #:** \_\_\_\_\_

**FEATURES:**

One piece seamless **Deep Drawn** stainless steel bowls.  
 Self rimming design.  
 Flat deck allowing for more faucet options.  
 All bowls are sound deadened.  
 Units feature Advance Tabco's **Smart Finish™**.  
 Stainless Steel 1-1/2 IPS basket drain.

**MATERIALS:**

Stainless Steel Type 304 18 Gauge

**DESIGN:**

Mounting hardware is provided. For counters over 7/8" and up to 1-1/2" thick, please order Thick-Counter Mounting Clips for Drop-In Sinks, **Model # K-28 Per Sink**. (Quantity supplied varies based on drop in sink ordered).  
 Unit punched with 1 1/8" dia. faucet holes.


**SINGLE BOWL DROP-IN SINKS**

MODEL#	OVERALL L x W	BOWL SIZE A x B	BOWL DEPTH* (D)	CUTOUT (1 1/4" RADIUS CORNERS)	Approx. Wt.
SS-1-1715-7	17"x15"	14"x10"	7-1/2"	16 1/4"x14 1/4"	12 lbs.
SS-1-1719-7	17"x19"	14"x14"	7-1/2"	16 1/4"x18 1/4"	16 lbs.
SS-1-1919-7	19"x19"	16"x14"	7-1/2"	18 1/4"x18 1/4"	19 lbs.
SS-1-2321-7	23"x21"	20"x16"	7-1/2"	22 1/4"x20 1/4"	24 lbs.
SS-1-3125-7	31"x25"	28"x20"	7-1/2"	30 1/4"x24 1/4"	25 lbs.
SS-1-1715-10	17"x15"	14"x10"	10"	16 1/4"x14 1/4"	15 lbs.
SS-1-1719-10	17"x19"	14"x14"	10"	16 1/4"x18 1/4"	18 lbs.
SS-1-1919-10	19"x19"	16"x14"	10"	18 1/4"x18 1/4"	22 lbs.
SS-1-2321-10	23"x21"	20"x16"	10"	22 1/4"x20 1/4"	26 lbs.
SS-1-3125-10	31"x25"	28"x20"	10"	30 1/4"x24 1/4"	26 lbs.
SS-1-1919-12	19"x19"	16"x14"	12"	18 1/4"x18 1/4"	24 lbs.
SS-1-2321-12	23"x21"	20"x16"	12"	22 1/4"x20 1/4"	28 lbs.
SS-1-3125-12	31"x25"	28"x20"	12"	30 1/4"x24 1/4"	29 lbs.

**DOUBLE BOWL DROP-IN SINKS**

MODEL#	OVERALL L x W	BOWL SIZE Ax B	BOWL DEPTH* (D)	CUTOUT (1 1/4" RADIUS CORNERS)	Approx. Wt.
SS-2-3321-7	33 1/2"x21"	14"x16"	7-1/2"	32 3/4"x20 1/4"	33 lbs.
SS-2-4521-7	45 1/2"x21"	20"x16"	7-1/2"	44 3/4"x20 1/4"	38 lbs.
SS-2-3319-10	33 1/2"x19"	14"x14"	10"	32 1/4"x18 1/4"	34 lbs.
SS-2-3321-10	33 1/2"x21"	14"x16"	10"	32 3/4"x20 1/4"	35 lbs.
SS-2-4521-10	45 1/2"x21"	20"x16"	10"	44 3/4"x20 1/4"	39 lbs.
SS-2-3319-12	33 1/2"x19"	14"x14"	12"	32 1/4"x18 1/4"	37 lbs.
SS-2-3321-12	33 1/2"x21"	14"x16"	12"	32 3/4"x20 1/4"	37 lbs.
SS-2-4521-12	45 1/2"x21"	20"x16"	12"	44 3/4"x20 1/4"	40 lbs.

Length is Left to Right. Width is Front to Back



**ADVANCE TABCO.**  
SMART FABRICATION™  
www.advancetabco.com

**Customer Service Available To Assist You 1-800-645-3166 8:30 am - 8:00 pm E.S.T.**

Email Orders To: customer@advancetabco.com. For Smart Fabrication™ Quotes, Email To: smartfab@advancetabco.com or Fax To: 631-586-2933

**NEW YORK**  
Fax: (631) 242-6900

**GEORGIA**  
Fax: (770) 775-5625

**TEXAS**  
Fax: (972) 932-4795

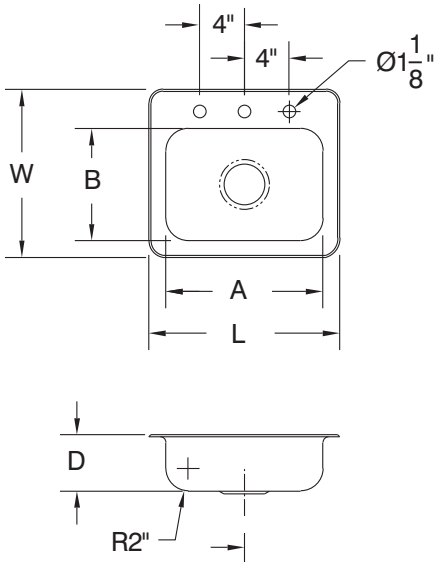
**NEVADA**  
Fax: (775) 972-1578

# DIMENSIONS and SPECIFICATIONS

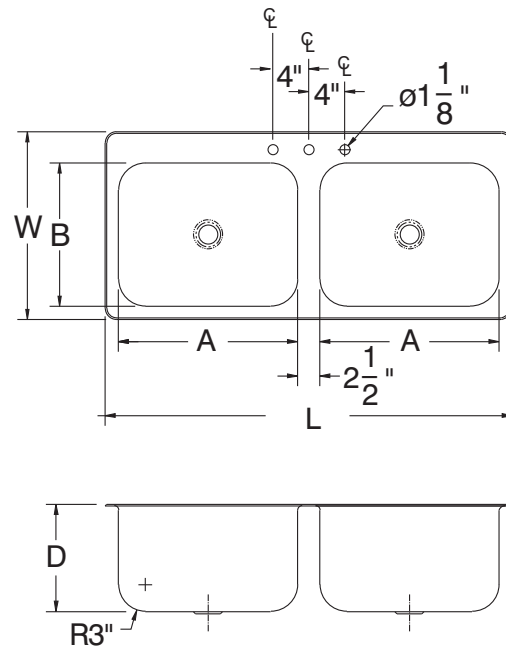
TOL ± .125"

ALL DIMENSIONS ARE TYPICAL

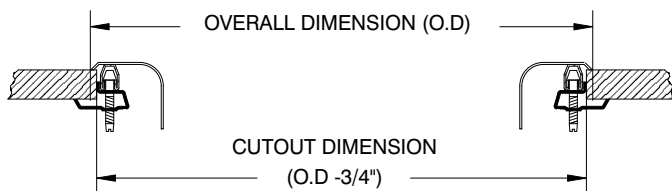
## SINGLE BOWL DROP-IN SINKS



## DOUBLE BOWL DROP-IN SINKS



## TYPICAL INSTALLATION



Cut-Out Size = L to R x F to B

Standard Mounting Clips For Countertops 7/8" Thick or Less (Included)



K-28 (Per Sink) Mounting Clips For Countertops Over 7/8" Thick (Maximum of 1 1/2")



### Available Faucets & Accessories

	Model #	Qty
Deck Mtd. Concealed 6 1/2" Spout. 8" O.C.	K-49	
Deck Mounted 8" Swing Spout. 4" O.C.*	K-50	
Deck Mounted. 12" Swing Spout. 4" O.C.*	K-53	
Deck Mounted 8 1/2" Gooseneck. 4" O.C.*	K-55	
Deck Mounted Swing w/Spray. 8" O.C.	K-58	
Thick-Counter Mounting Clips for Countertops over 7/8" and up to 2". (Qty. supplied varies based on sink ordered)	K-28	

\*REQUIRES K-149 FAUCET HOLE REVISION

**Standard Faucet conforms to NSF 61 Standard 9.  
An optional faucet upgrade is required for compliance to AB 1953 Standards.**

For Replacement Faucets & Upgrades, Drains & Accessories visit our website at [www.advancetabco.com](http://www.advancetabco.com)

