

Item #: _____ Qty #: _____

Model #: _____

Project #: _____

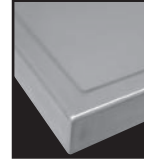
STANDARD CABINET

DESIGN:

Furnished with a 2" x 1" square die embossed No-Drip countertop offset edge on 3 sides.
Furnished with a 5" Back splash with a 1" return.
Door is a double panel design.
Designed so that utility lines have access for ease of installation.
Furnished with **K-124** 6" extended spout faucet & drain.



**FEATURING
BOLT-ON
STAINLESS
STEEL LEG**



**No Drip DIE
Formed Edge**



MATERIAL:

TOP is 14 gauge stainless steel type "304" series.
BODY is 18 gauge stainless steel type "430" series.
Faucet is chrome plated.
Stainless steel basket type drain.
LEGS are stainless steel and include 1 1/2" adjustable hex foot.

CONSTRUCTION:

All TIG welded.
TOP and all exposed surfaces are mechanically polished to a satin finish and sound deadened.
Countertop edge is polished to a MIRROR finish.
Double panel door welded & sound deadened.
Roll formed embossed galvanized hat channels are secured to top by means of structural adhesive and weld studs.
Legs bolt on to sink base.

Model #	L	Bowl Size L x W x D	Weight
SHK-302	24"	10"x14"x10"	150 lbs.
SHK-180	18"	10"x14"x10"	125 lbs.

W=Front to Back

MECHANICAL:

Faucet 4" O.C., Drain 1 1/2 IPS.
1 1/2" adjustable stainless steel hex foot.

TA-36D Repair Kit For Door Hinge (Per Hinge)

CORNER CABINET

DESIGN:

Furnished with a 5" Back Splash with a 1" return.
SHK-2441 is designed to line up with "HK" 5" Back Splash Enclosed Base Tables to create functional work area.
Door is a double panel design.
Utility access clearance provided for ease of plumbing installation.
Furnished with **K-124** 6" extended spout faucet & drain.
Mitered front permits easy access to sink bowl & faucet.

MATERIAL:

TOP is 14 gauge stainless steel type "304" series.
BODY is 18 gauge stainless steel type "430" series.
Stainless steel basket type drain.
LEGS are stainless steel and include 1 1/2" adjustable hex foot.

MECHANICAL:

Faucet 4" O.C., Drain 1-1/2 IPS.
1 1/2" adjustable stainless steel hex foot.

CONSTRUCTION:

All TIG welded - Unit body construction
TOP and all exposed surfaces are mechanically polished to a satin finish and sound deadened.
Double panel door welded & sound deadened.
Roll formed embossed galvanized hat channels are secured to top by means of structural adhesive and weld studs.
Legs bolt on to sink base.



**FEATURING
BOLT-ON
STAINLESS
STEEL LEG**



Model #	W	L	Bowl Size A x B x D	Weight
SHK-1735	17"	35"	14"x10"x10"	215 lbs.
SHK-2441	24"	41"	16"x20"x12"	250 lbs.

W=Left to Right

TA-36D Repair Kit For Door Hinge (Per Hinge)

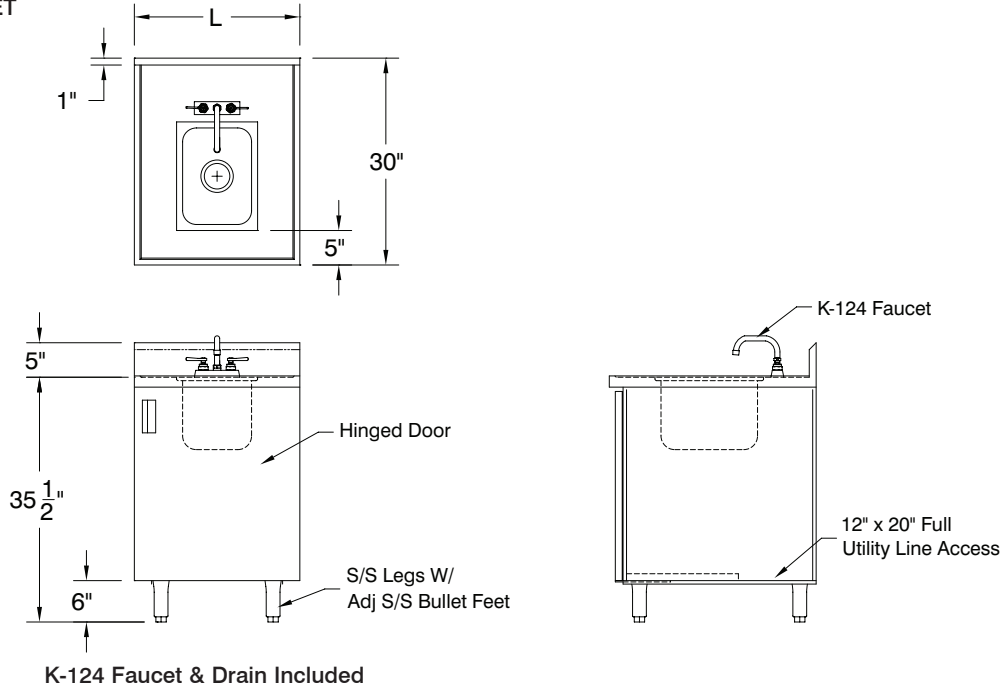
 **WARNING:** Equipment that include faucets on this page may contain a chemical known to the State of California to cause cancer, birth defects or other reproductive harm.

DETAILS and SPECIFICATIONS

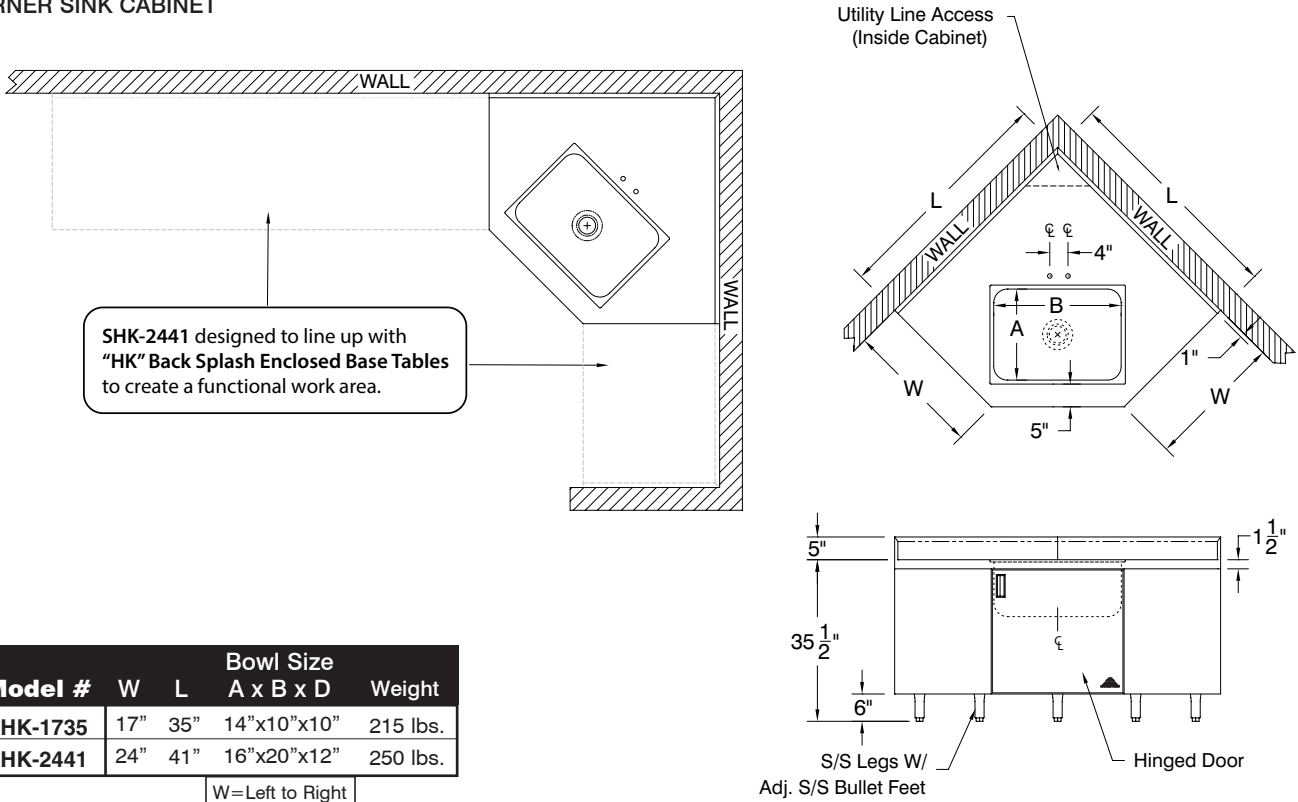
TOL ± .500"

ALL DIMENSIONS ARE TYPICAL

STANDARD SINK CABINET



KORNER SINK CABINET



Model #	W	L	Bowl Size		Weight
			A	B	
SHK-1735	17"	35"	14"	10"	215 lbs.
SHK-2441	24"	41"	16"	20"	250 lbs.

W=Left to Right

K-124 Faucet & Drain Included

