



# KNEE VALVES

Conforms To NSF 61/9 Lead Free Requirements



## 7-PS-32

INCLUDES BRACKET



Adjustable Mixing Valve

## K-104

REPLACEMENT ONLY (NO BRACKET)

Item #: \_\_\_\_\_ Qty #: \_\_\_\_\_

Model #: \_\_\_\_\_

Project #: \_\_\_\_\_

### FEATURES:

- Knee Actuated Pedal Valve for water operation.
- Built-In Check Valves
- Tempering Mixing Valve to adjust water temperature

### MATERIAL:

**Body:** Chrome Plated Brass

**Pedal:** Chrome Plated

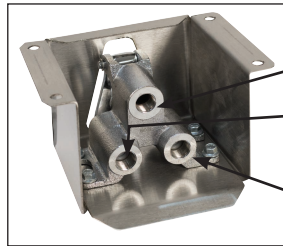
**Bracket:** 16 Ga., Type 304 Stainless Steel

### OPTIONS & REPLACEMENTS

Thermostatic  
Mixing Valve  
K-425



Replacement  
Bonnet  
K-01

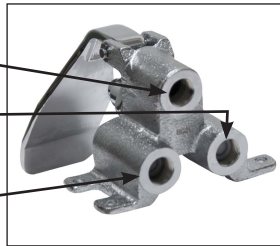


Back View

Outlet To Faucet  
3/8" NPT Female

Hot Inlet  
3/8" NPT Female

Cold Inlet  
3/8" NPT Female



Back View

**NOTE:** Mixing Valve is a Tempering Valve Only.  
Does not meet ASSE 1070 Specs.

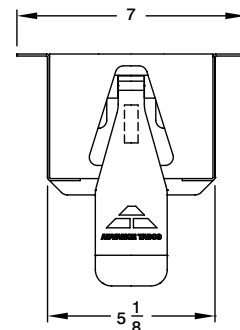
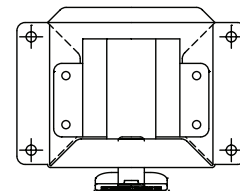
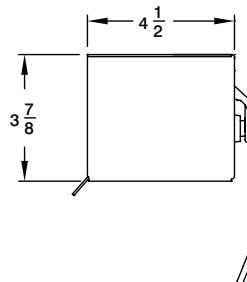
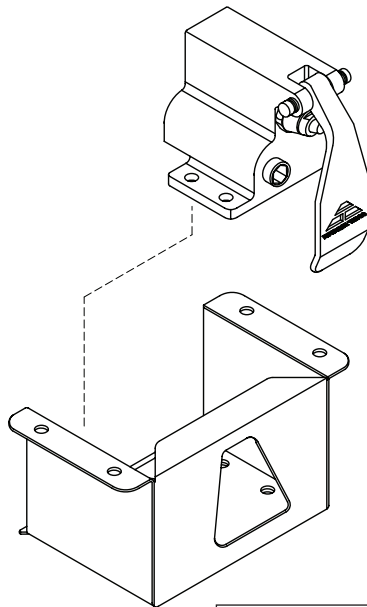


[Click This Link To View Assembly Sheet](#)

## DIMENSIONS and SPECIFICATIONS

TOL ± .500"

ALL DIMENSIONS ARE TYPICAL



### ⚠ WARNING:

Valve on this page may expose you to chemicals, including lead, that are known to the State of California to cause cancer or birth defects or other reproductive harm. For more Info., visit [www.p65warnings.ca.gov](http://www.p65warnings.ca.gov).