



STAINLESS STEEL
HAND SINKS
 with SOAP and PAPER TOWEL DISPENSER
 Conforms To NSF 61/9 Lead Free Requirements



TOUCHLESS
 SOAP DISPENSER



7-PS-131



7-PS-79



7-PS-80

Includes
 Side supports



7-PS-69



7-PS-85

Includes
 Skirt

**FRONT LOAD TOWEL DISPENSER
 HAND SINKS**

7-PS-41



A.D.A. Compliant

Electronic
 Faucet



7-PS-46

[CLICK HERE](#)
 TO VIEW SPEC SHEET

FEATURES:

One piece **Deep Drawn** sink bowl design.
 "Z" bracket wall mounting plate
 Keyhole wall mount bracket.
 C-fold style towel dispenser with hinged towel box.

Specific Unit Features:

7-PS-69:

10" x 14" x 5" sink bowl.
 Splash mount liquid soap dispenser.
 K-69 heavy duty splash mount faucet (with wrist handles)
 Side support brackets.
 Lever operated drain, built-in overflow with plastic overflow tube and spring clamps.
 1 1/2" P-trap.

7-PS-79:

10" x 14" x 5" sink bowl.
 K-59 gooseneck faucet.
 Splash mount liquid soap dispenser.
 Stainless steel 1-1/2" IPS basket drain.

7-PS-80:

10" x 14" x 5" sink bowl.
 K-59 gooseneck faucet.
 Splash mount liquid soap dispenser
 Includes lever operated drain, built-in overflow with plastic overflow tube and spring clamps.
 1 1/2" P-trap.

7-PS-85:

10" x 14" x 5" sink bowl.
 K-59 gooseneck faucet.
 Splash mount liquid soap dispenser.
 Chrome plated 1 1/2" p-trap & apron.

7-PS-131:

10" x 14" x 5" sink bowl.
 K-175 electronic faucet.
 Splash mount touchless liquid soap dispenser.
 Stainless steel 1-1/2" IPS basket drain.
 7-3/4" Side Splashes.

CONSTRUCTION:

All TIG welded.
 All sink bowls have a large liberal radii with a minimum dimension of 2" and are rectangular in design.
 Welded areas blended to match adjacent surfaces and to a satin finish.
 Die formed countertop edge with a no-drip offset.

MATERIAL:

Heavy gauge type 304 series stainless steel.
 Galvanized wall bracket.
 All fittings are brass / chrome plated unless otherwise indicated.

MECHANICAL:

Faucet supply is 1/2" ips male thread hot and cold.

Faucet Flow Rate:

1.0 GPM/3.8 LPM aerator. 60 PSI.
7-PS-131 - 2.2 GPM/8.328 LPM aerator. 60 PSI.

Item #: _____ Qty #: _____
 Model #: _____
 Project #: _____



7-PS-104

**HANDS-FREE TOUCHLESS
 SOAP DISPENSER UPGRADE**

- Wall Mounted
- A/C or Battery Powered (Requires 4 "AA" Batteries. Not Included)
- Low Soap Indicator Window
- Includes Wall Bracket & Hardware
- Uses Liquid Soap

(Excludes 7-PS-131)

[CLICK HERE](#)
 TO VIEW SPEC SHEET

WARNING: Equipment that includes a faucet may expose you to chemicals, including lead, that are known to the State of California to cause cancer or birth defects or other reproductive harm. For more info, visit www.p65warnings.ca.gov.



Customer Service Available To Assist You **1-800-645-3166** 8:30 am - 7:00 pm E.S.T.

For Orders & Customer Service:

Email: customer@advancetabco.com or Fax: 631-242-6900

For Smart Fabrication™ Quotes:

Email: smartfab@advancetabco.com or Fax: 631-586-2933

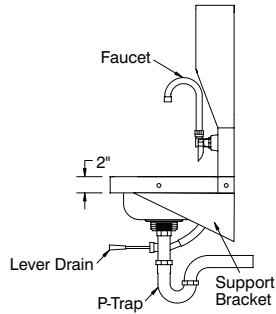
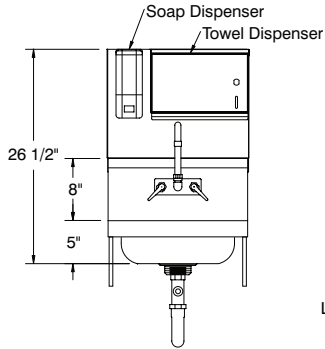
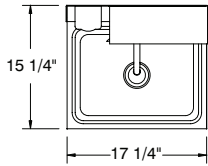
DIMENSIONS and SPECIFICATIONS

TOL Overall: ± .500" Interior: ± .250"

FITTINGS SUPPLIED AS SHOWN

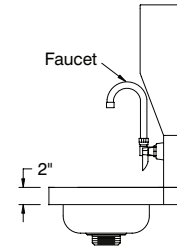
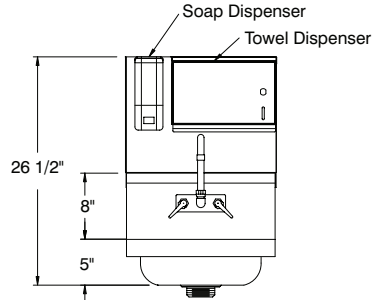
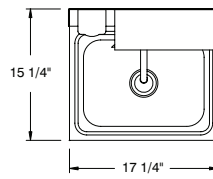
ALL DIMENSIONS ARE TYPICAL

7-PS-69



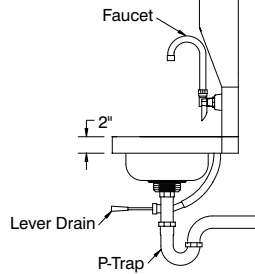
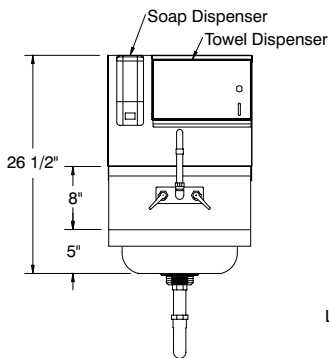
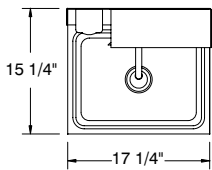
35 lbs.

7-PS-79



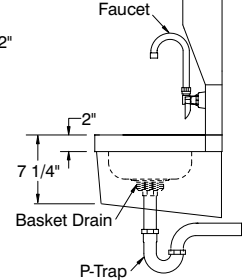
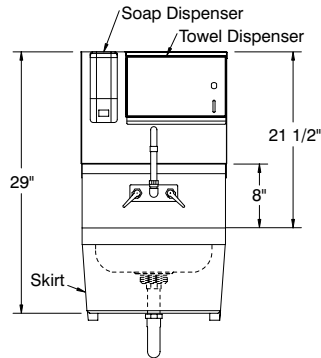
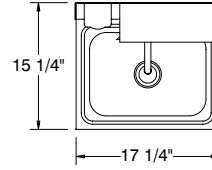
32 lbs.

7-PS-80



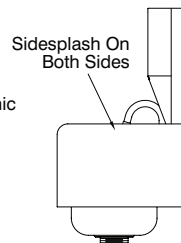
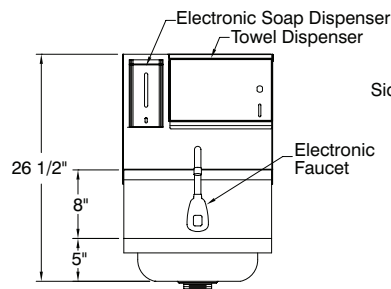
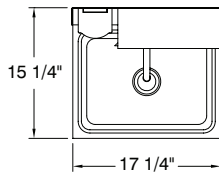
32 lbs.

7-PS-85



35 lbs.

7-PS-131



30 lbs.



REF-B

325 Wireless Boulevard, Hauppauge, NY 11788

ADVANCE TABCO is constantly engaged in a program of improving our products. Therefore, we reserve the right to change specifications without prior notice.

© ADVANCE TABCO, JULY 2020