



STAINLESS STEEL
HAND SINKS

A.D.A COMPLIANT LAVATORIES WITH TAPERED SKIRT

Conforms To NSF 61/9 Lead Free Requirements



Includes K-175
Electronic Faucet



7-PS-41



Includes Extended
Swing Faucet



7-PS-46



Includes K-175
Electronic Faucet



7-PS-77-E



Includes Extended
Swing Faucet



7-PS-77-W

Item #: _____ Qty #: _____

Model #: _____

Project #: _____

7-PS-41 / 7-PS-46 FEATURES:

One piece **Deep Drawn** sink bowl design.
Sink bowl is 14" x 16" x 5".
Undermount Towel Dispenser.
Deck mount liquid soap dispenser.
Stainless Steel Skirt with Removable Access Panel and enclosed bottom for storage.
"Z" bracket wall mounting plate
Stainless steel 1-1/2" IPS basket drain.

Additional Unit Features:

7-PS-41:

K-175 splash mount hands free electronic operated gooseneck faucet.

7-PS-46:

K-206 6" splash mount extended "d" spout faucet with wrist handles.

7-PS-77-E / 7-PS-77-W FEATURES:

One piece **Deep Drawn** sink bowl design.
Sink bowl is 14" x 16" x 5".
Deck mount liquid soap dispenser.
Stainless Steel Skirt with Removable Access Panel and enclosed bottom for storage.
"Z" bracket wall mounting plate
Stainless steel 1-1/2" IPS basket drain.

Additional Unit Features:

7-PS-77-E:

K-175 splash mount hands free electronic operated gooseneck faucet.

7-PS-77-W:

K-206 6" splash mount extended "D" spout faucet with wrist handles.

CONSTRUCTION:

All TIG welded.
Welded areas blended to match adjacent surfaces and to a satin finish.
Die formed Countertop Edge with a 3/8" No-Drip offset.
Bowl made from One sheet of stainless steel - No Seams.

MATERIAL:

Heavy gauge type 304 series stainless steel.
Skirt - 16 gauge type 304 series stainless steel.
Wall mounting bracket is Galvanized and of offset design.
All fittings are brass / chrome plated unless otherwise indicated.

MECHANICAL:

Faucet supply is 1/2" IPS male thread hot and cold.
Faucet Flow Rate: 1.0 GPM/3.8 LPM aerator. 60 PSI.

WARNING:

Equipment that includes a faucet may expose you to chemicals, including lead, that are known to the State of California to cause cancer or birth defects or other reproductive harm. For more Info., visit www.p65warnings.ca.gov.



Customer Service Available To Assist You **1-800-645-3166** 8:30 am - 7:00 pm E.S.T.

For Orders & Customer Service:

Email: customer@advancetabco.com or Fax: 631-242-6900

For Smart Fabrication™ Quotes:

Email: smartfab@advancetabco.com or Fax: 631-586-2933

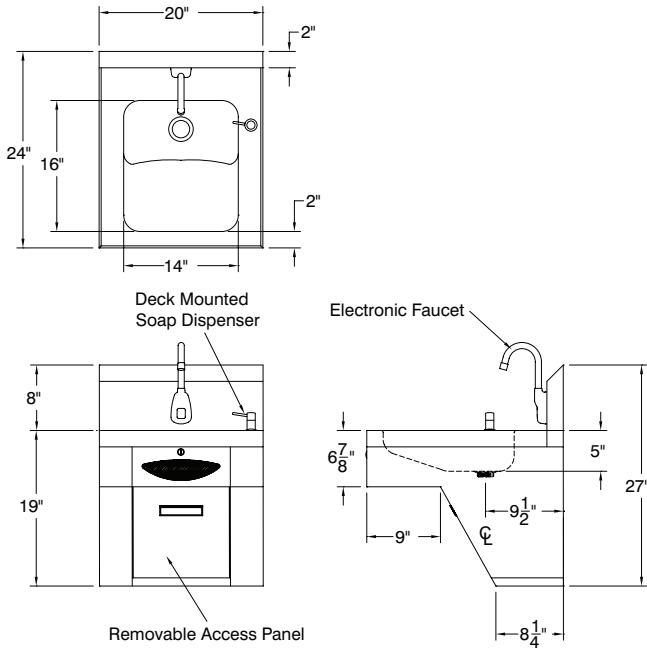
DIMENSIONS and SPECIFICATIONS

TOL Overall: ± .500" Interior: ± .250"

FITTINGS SUPPLIED AS SHOWN

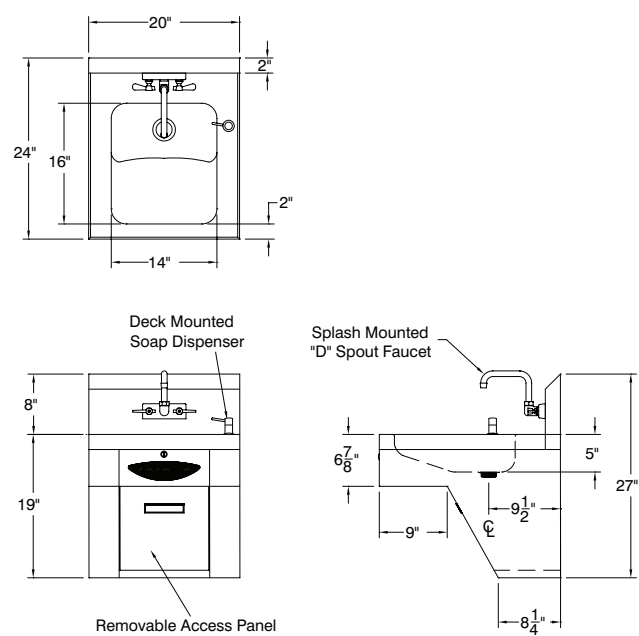
ALL DIMENSIONS ARE TYPICAL

7-PS-41



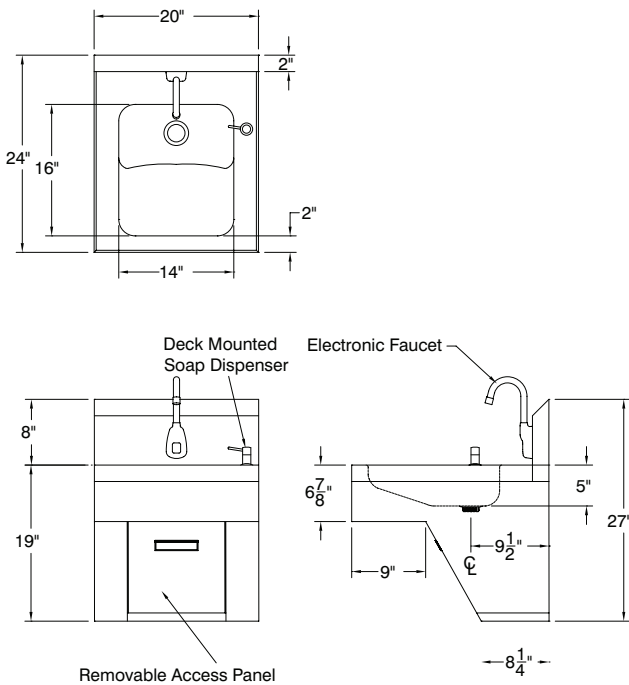
65 lbs.

7-PS-46



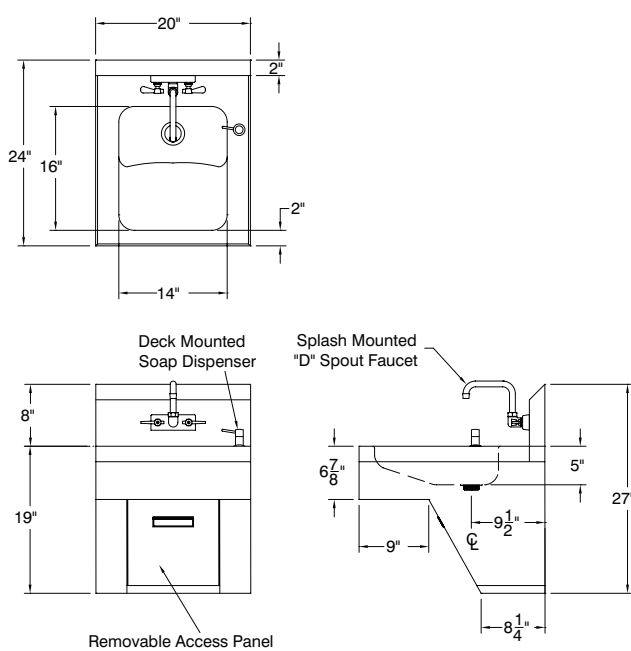
65 lbs.

7-PS-77-E



65 lbs.

7-PS-77-W



65 lbs.

