



STAINLESS STEEL  
**HAND SINKS**  
**A.D.A COMPLIANT LAVATORIES**  
 Conforms To NSF 61/9 Lead Free Requirements



Item #: \_\_\_\_\_ Qty #: \_\_\_\_\_  
 Model #: \_\_\_\_\_  
 Project #: \_\_\_\_\_



7-PS-25



7-PS-75



7-PS-751



7-PS-26

**FEATURES:**

One piece **Deep Drawn** sink bowl design.  
 Sink bowl is 16" x 14" x 5".  
 All sink bowls have a large liberal radii with a minimum dimension of 2" and are rectangular in design for increased capacity.  
 1 1/2" stainless steel drain with crumb basket.

**Additional Specific Features:**

- 7-PS-25** 6" Extended deck mounted gooseneck faucet with wrist handles & deck mounted liquid soap dispenser.
- 7-PS-26** includes a "Hands Free" AC/DC operated gooseneck faucet & deck mounted, liquid soap dispenser.
- 7-PS-75** Sink Only with three 1-3/8" dia. holes punched. Faucet & Soap Dispenser not included.
- 7-PS-751** Sink Only with single Hole punched. Faucet & Soap Dispenser not included.

**CONSTRUCTION:**

All TIG welded.  
 Welded areas blended to match adjacent surfaces and to a satin finish.  
 Die formed Countertop Edge with a 3/8" No-Drip offset.  
 Bowl made from One sheet of stainless steel - No Seams.

**MATERIAL:**

Heavy gauge type 304 series stainless steel.  
 Wall mounting bracket is Galvanized and of offset design.  
 All fittings are brass / chrome plated unless otherwise indicated.

**MECHANICAL:**

Faucet supply is 1/2" IPS male thread hot and cold.  
**Faucet Flow Rate:** 1.0 GPM/3.8 LPM aerator. 60 PSI.

**TAPERED BOWL DESIGNS AVAILABLE**  
[Click Here For Spec Sheet!](#)





7-PS-41



7-PS-77E

**⚠ WARNING:**  
 Equipment that includes a faucet may expose you to chemicals, including lead, that are known to the State of California to cause cancer or birth defects or other reproductive harm. For more Info., visit [www.p65warnings.ca.gov](http://www.p65warnings.ca.gov).

**OPTIONS & ACCESSORIES**



**Electronic Soap Dispenser**  
 Wall Mounted.  
 A/C or Battery Powered.  
 Includes Bracket & Hardware.  
 Uses Liquid Soap.  
**7-PS-12E**



**Heavy Duty 5-1/2" Gooseneck Faucet**  
**K-132**  
 8" O.C.



**Drinking Bubbler For 7-PS-25, 7-PS-26 & 7-PS-75**  
**K-47**



**Heavy Duty 9" Swing Spout Faucet**  
**K-133**  
 8" O.C.



**Strainer Plate for K-63 2" Drain**  
**K-411**



**Customer Service Available To Assist You 1-800-645-3166 8:30 am - 7:00 pm E.S.T.**

For Orders & Customer Service:  
 Email: [customer@advancetabco.com](mailto:customer@advancetabco.com) or Fax: 631-242-6900

For Smart Fabrication™ Quotes:  
 Email: [smartfab@advancetabco.com](mailto:smartfab@advancetabco.com) or Fax: 631-586-2933

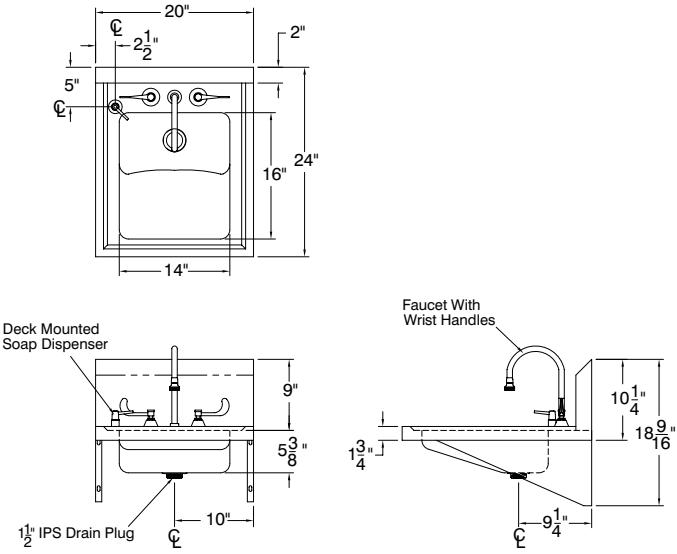
# DIMENSIONS and SPECIFICATIONS

TOL Overall: ± .500" Interior: ± .250"

FITTINGS SUPPLIED AS SHOWN

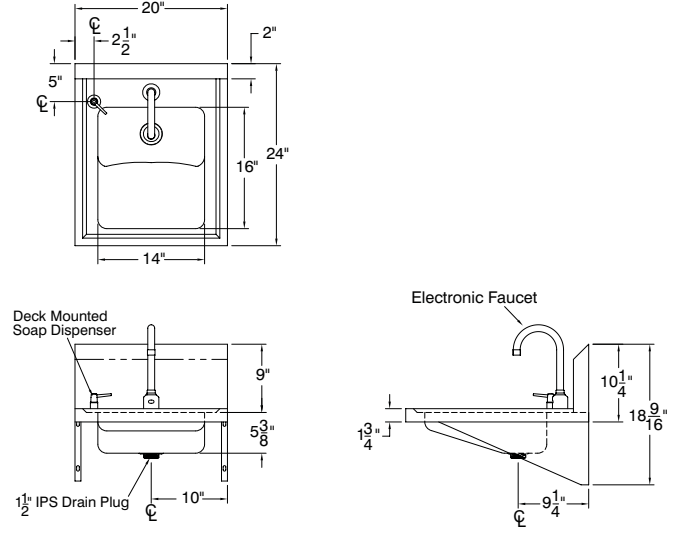
ALL DIMENSIONS ARE TYPICAL

## 7-PS-25



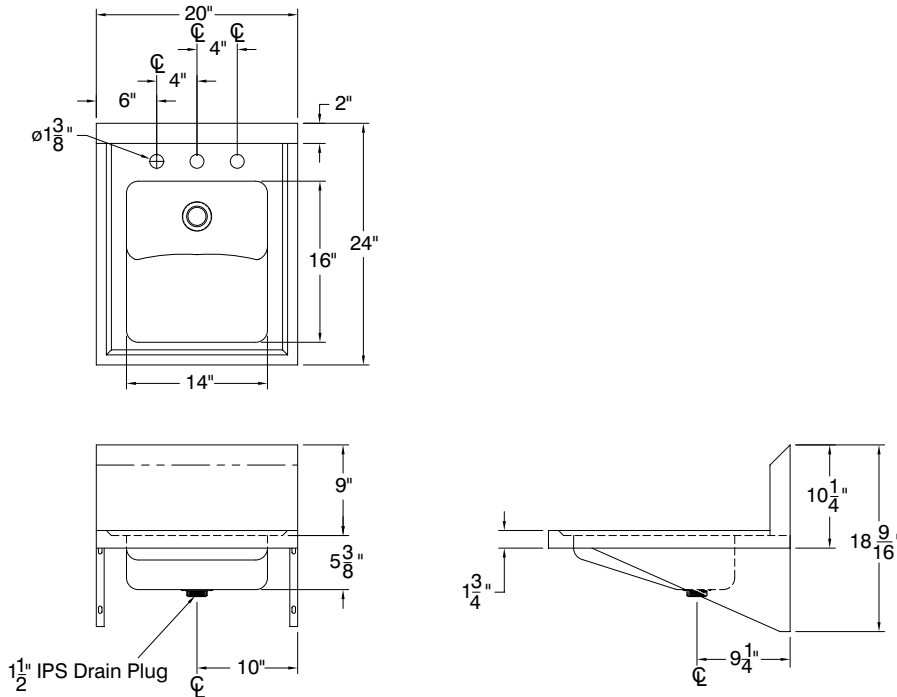
25 lbs.

## 7-PS-26



25 lbs.

## 7-PS-75



25 lbs.

