



STAINLESS STEEL  
**FLUSH-MOUNT MOP SINK**

Item #: \_\_\_\_\_ Qty #: \_\_\_\_\_  
 Model #: \_\_\_\_\_  
 Project #: \_\_\_\_\_



**9-OP-24FM-SSRL  
 Shown**



**Flush-To-Floor  
 Design**



**Mop Bucket  
 Easily Rolls In**



**2 pc. Removable  
 "Subway-Style" Grate**

**FEATURES:**

- Easy mop bucket roll-in design.
- Standard backsplash with left & right splash, Left splash or right splash available.
- 4" O.D. - 3" Long drain sleeve.
- Anti-splash guards (Front & rear).
- Waste receptacle will accommodate up to a 4" waste pipe.
- Removable perforated stainless steel strainer basket with handle provided.
- Pitched towards waste.
- Includes stainless steel or fiberglass "Subway Style" grating.
- Grating comes in two sections for easy removal for cleaning. Grating is closely spaced between bars to prevent casters from getting trapped.

**CONSTRUCTION:**

- All TIG welded.
- Welded areas blended to match adjacent surfaces and to a satin finish

**MECHANICAL:**

16 Gauge type "304" series stainless steel sink bowl.

**GRATING SIZE:**

21 3/16" (Left to Right) x 21 3/4" (Front to Back)



	Model #	Overall Length L x W	Overall Bowl Size A x B	Splash Location	Approx. Wt.	Approx. Cu.
<b>STAINLESS STEEL GRATES</b>	9-OP-24FM-SSRL	21 3/8" x 24"	21 3/8" x 22" x 10"	Back, Left & Right	128 lbs.	14
	9-OP-24FM-SSL	23 3/8" x 24"	21 3/8" x 22" x 10"	Back & Left	120 lbs.	14
	9-OP-24FM-SSR	23 3/8" x 24"	21 3/8" x 22" x 10"	Back & Right	120 lbs.	14
	9-OP-36FM-SSRL	33 3/8" x 24"	33 3/8" x 22" x 10"	Back, Left & Right	158 lbs.	15
	9-OP-36FM-SSL	35 5/8" x 24"	33 3/8" x 22" x 10"	Back & Left	150 lbs.	15
	9-OP-36FM-SSR	35 5/8" x 24"	33 3/8" x 22" x 10"	Back & Right	150 lbs.	15
<b>FIBERGLASS GRATES</b>	9-OP-24FM-FGRL	21 3/8" x 24"	21 3/8" x 22" x 10"	Back, Left & Right	128 lbs.	14
	9-OP-24FM-FGL	23 3/8" x 24"	21 3/8" x 22" x 10"	Back & Left	120 lbs.	14
	9-OP-24FM-FGR	23 3/8" x 24"	21 3/8" x 22" x 10"	Back & Right	120 lbs.	14
	9-OP-36FM-FGRL	33 3/8" x 24"	33 3/8" x 22" x 10"	Back, Left & Right	126 lbs.	15
	9-OP-36FM-FGL	35 5/8" x 24"	33 3/8" x 22" x 10"	Back & Left	118 lbs.	15
	9-OP-36FM-FGR	35 5/8" x 24"	33 3/8" x 22" x 10"	Back & Right	118 lbs.	15



**Customer Service Available To Assist You 1-800-645-3166 8:30 am - 8:00 pm E.S.T.**

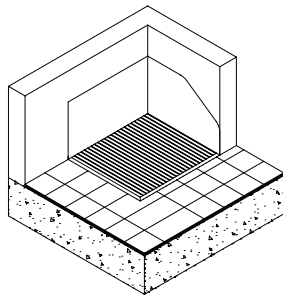
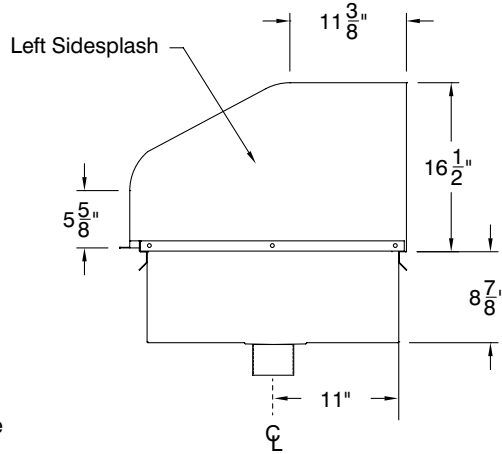
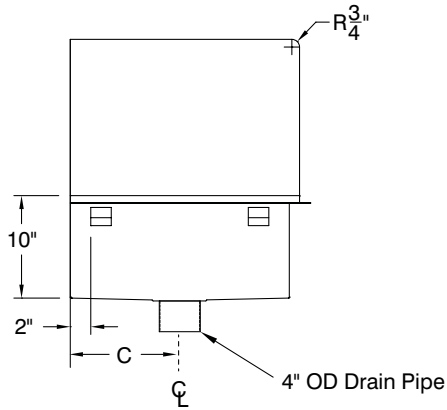
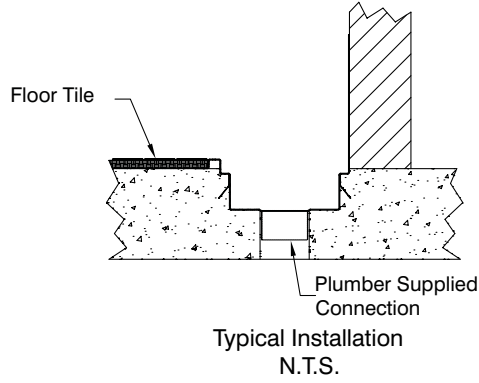
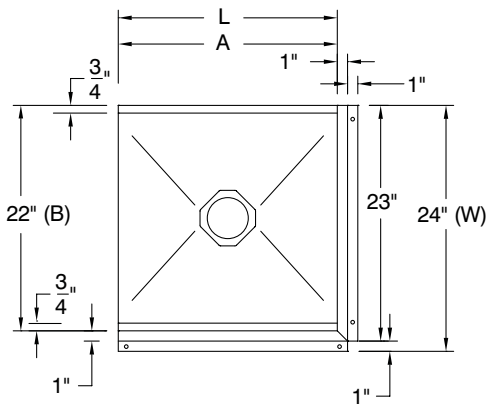
For Orders & Customer Service:  
 Email: customer@advancetabco.com or Fax: 631-242-6900

For Smart Fabrication™ Quotes:  
 Email: smartfab@advancetabco.com or Fax: 631-586-2933

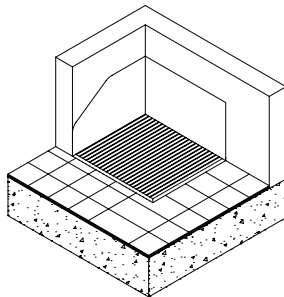
# DIMENSIONS and SPECIFICATIONS

ALL DIMENSIONS ARE TYPICAL

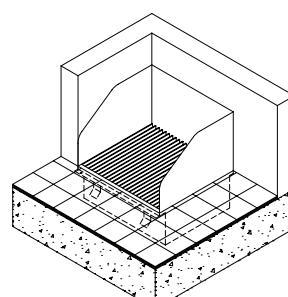
TOL ± .500"



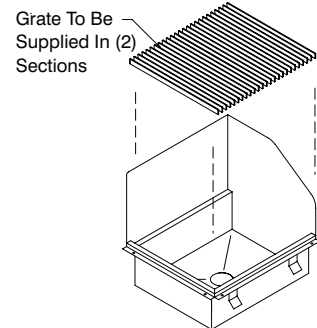
9-OP-24FM-SSR



9-OP-24FM-SSL



9-OP-24FM-SSRL



Grate To Be Supplied In (2) Sections

## Mop Sink Accessories

Service Faucet For Mop Sinks

8" O.C.

K-240



Service Faucet Vacuum Breaker Repair Kit

K-03



Mop Sink Replacement Drain

K-16



Strainer Basket with Handle

FT-2



23" Wide Mop Hanger

K-242



Hose & Hanger

K-244

