



STAINLESS STEEL

FABRICATED FLOOR MOP SINKS

Item #: _____ Qty #: _____
 Model #: _____
 Project #: _____



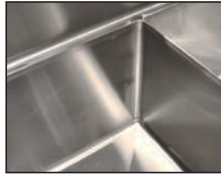
Standard Mop Sink
9-OP-20 Shown



Drop Front Mop Sink
9-OP-40DF Shown



Notched Out Front Allows Ease of Emptying Mop Bucket



Fabricated Bowls are Welded Together at the Seams

FEATURES:

Floor mounted unit eliminates the need of lifting heavy containers.
 Tile edge furnished on the rear.
 Bowls rectangular in design for increased capacity.
K-16 Free Flow Drain is included with each mop sink.
-DF models feature a notched out front which allows for ease of emptying mop bucket)

CONSTRUCTION:

All TIG welded.
 Welded areas blended to match adjacent surfaces and to a satin finish.

MATERIAL:

16 Gauge type "304" series stainless steel sink bowl & Apron.

		O.A. Dimension (W x L x H)	Drain Distance (E)	Drain Distance (F)	Approx. Wt.	Approx. Cu.
STANDARD	9-OP-18	15" x 15" x 10"	18" x 18" x 14"	9"	9"	30 lbs. 4
	9-OP-20	16" x 20" x 6"	21" x 25" x 10"	10-1/2"	12-1/2"	33 lbs. 4
	9-OP-28	20" x 28" x 6"	25" x 33" x 10"	12-1/2"	16-1/2"	47 lbs. 7
	9-OP-40	16" x 20" x 12"	21" x 25" x 16"	10-1/2"	12-1/2"	45 lbs. 6
LARGE BOWL	9-OP-48	20" x 28" x 12"	25" x 33" x 16"	12-1/2"	16-1/2"	62 lbs. 9
	9-OP-44	24" x 24" x 12"	29" x 29" x 16"	12-1/2"	16-1/2"	70 lbs. 9
	9-OP-33	24" x 36" x 12"	29" x 41" x 16"	12-1/2"	20 1/2"	73 lbs. 9
DROP FRONT	9-OP-34	24" x 48" x 12"	29" x 53" x 16"	12-1/2"	20 1/2"	76 lbs. 9
	9-OP-40DF	16" x 20" x 12"	18-1/2" x 25" x 16"	10-1/2"	12-1/2"	85 lbs. 9
	9-OP-48DF	20" x 28" x 12"	22-1/2" x 33" x 16"	12-1/2"	16-1/2"	110 lbs. 15

MOP SINK ACCESSORIES

16" High Side & Back Splashes for 9-OP Series Mop Sinks

Splashes on All 3 Sides

Model #	Fits Units:	Model #	Fits Units:
K-298	9-OP-20 9-OP-40	K-298D	9-OP-40DF
K-299	9-OP-28 9-OP-48	K-299D	9-OP-48DF
K-300	9-OP-44	-	-

Splash on Left or Right & Back

Model #	Fits Units:	Model #	Fits Units:
K-288LorR	9-OP-20 9-OP-40	K-288LorRD	9-OP-40DF
K-290LorR	9-OP-28 9-OP-48	K-290LorRD	9-OP-48DF
K-291LorR	9-OP-44	-	-



Left & Right Splashes Shown

- K-16** Replacement drain for floor mop sinks
- K-240** Service Faucet*
- K-242** 23" wide mop hanger
- K-243** Stainless steel mop drainage tray
- K-244** Hose and hanger
- K-245** 8" x 24" utility shelf
- K-246** 8" x 36" utility shelf



*Does not meet Federal Lead Free Standards as it is not intended for potable water.

Customer Service Available To Assist You 1-800-645-3166 8:30 am - 8:00 pm E.S.T.



For Orders & Customer Service:
 Email: customer@advancetabco.com or Fax: 631-242-6900

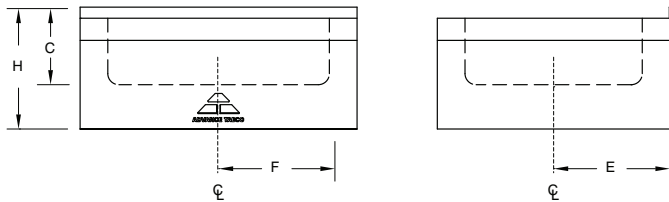
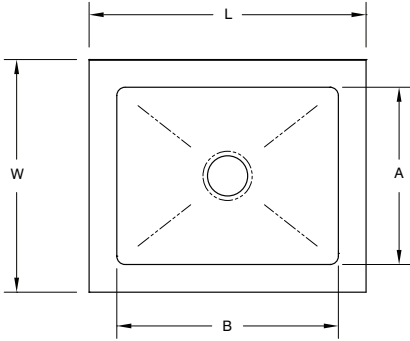
For Smart Fabrication™ Quotes:
 Email: smartfab@advancetabco.com or Fax: 631-586-2933

DIMENSIONS and SPECIFICATIONS

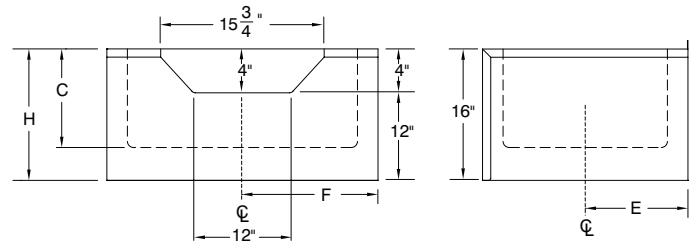
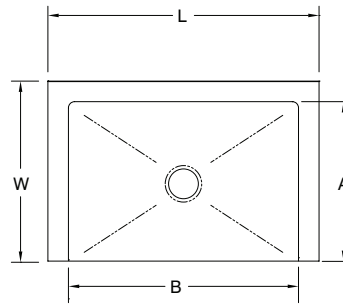
TOL Overall: $\pm .500''$
 Interior: $\pm .250''$

ALL DIMENSIONS ARE TYPICAL

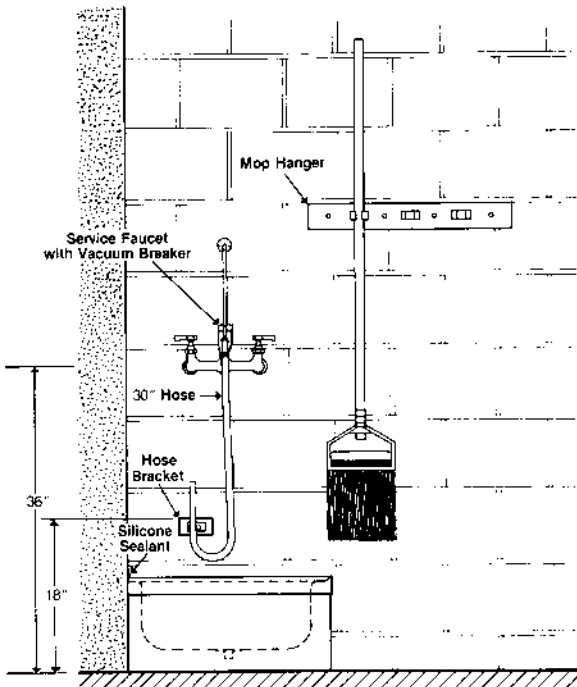
STANDARD MOP SINK



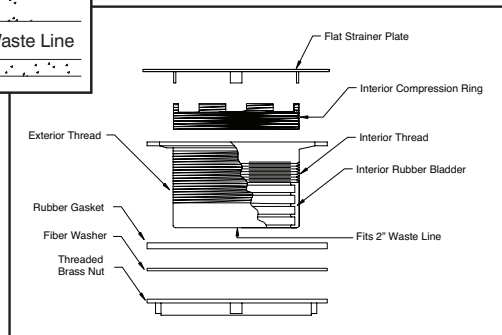
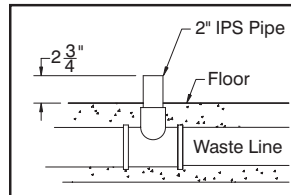
DROP FRONT MOP SINK



SUGGESTED INSTALLATION



MOP SINK DRAIN ASSEMBLY



K-243 MOP DRAINAGE TRAY

13 lbs.

