



DROP-IN ICE-COOLED UNITS



Drop-in Cold pan units can be placed in existing countertops and other work areas to house items that need to be kept ice cooled. Perfect for cold bar items such as bottle drinks or salad bar items.

FEATURES:

9" deep Ice bin with fiberglass insulation
1" diameter drain

MATERIAL:

TOP: 18 gauge #304 stainless steel
self rimmed

ICE BIN: 20 gauge #300 stainless steel
self rimmed

JACKET: 20 gauge galvanized steel

INSULATION: Styrofoam on sides,
polyurethane foam on bottom

MOLDING: Extruded black polyethylene
thermal breaker

PLUMBING:

Drain is 1" I.P.S.

Item #:	_____	Qty #:	_____
Model #:	_____		
Project #:	_____		



DICP-2 Shown

STANDARD SERIES

Model #	O.A. Length (L)	O.A. Width (W)	Inside Length (B)	Body Length (C)	Cut-Out Size (Unit)	Ice Capacity (lbs)	Weight (lbs)	Cubic Feet
DICP-1	20"	26 3/4"	14 15/16"	18 5/16"	25 1/2" x 18 5/8"	56	129	1.75
DICP-2	33 1/2"	26 3/4"	28 7/16"	31 13/16"	25 1/2" x 32 1/8"	105	162	3.29
DICP-3	47"	26 3/4"	41 15/16"	45 5/16"	25 1/2" x 45 5/8"	155	165	4.84
DICP-4	60 1/2"	26 3/4"	55 7/16"	58 13/16"	25 1/2" x 59 1/8"	205	199	6.39
DICP-5	74"	26 3/4"	68 15/16"	72 5/16"	25 1/2" x 72 5/8"	254	240	7.93
DICP-6	87 1/2"	26 3/4"	82 7/16"	85 13/16"	25 1/2" x 86 1/8"	304	268	9.49



DISLCP-3 Shown

SLIMLINE SERIES

Model #	O.A. Length (L)	O.A. Width (W)	Inside Length (B)	Body Length (C)	Cut-Out Size (Unit)	Ice Capacity (lbs)	Weight (lbs)	Cubic Feet
DISLCP-2	49 5/8"	18 5/8"	44 7/8"	48"	17 3/8" x 48-3/8"	104	168	3.25
DISLCP-3	71 1/4"	18 5/8"	66 1/2"	69 5/8"	17 3/8" x 70"	152	178	4.76
DISLCP-4	92 7/8"	18 5/8"	88 1/4"	91 1/4"	17 3/8" x 91 5/8"	204	215	6.38



Customer Service Available To Assist You 1-800-645-3166 8:30 am - 7:00 pm E.S.T.

For Orders:

Email: customer@advancetabco.com or Fax To: 631-242-6900

For Smart Fabrication™ Quotes:

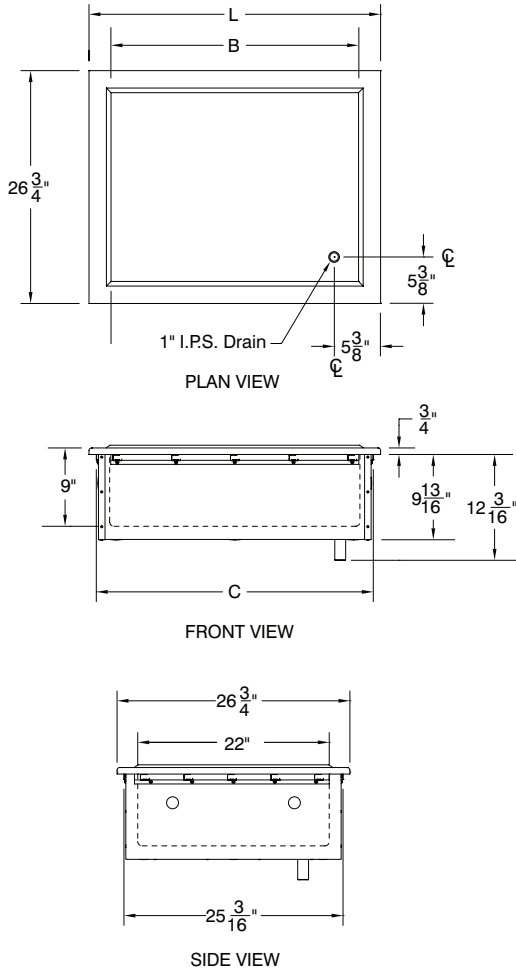
Email: smartfab@advancetabco.com or Fax To: 631-586-2933

DIMENSIONS and SPECIFICATIONS

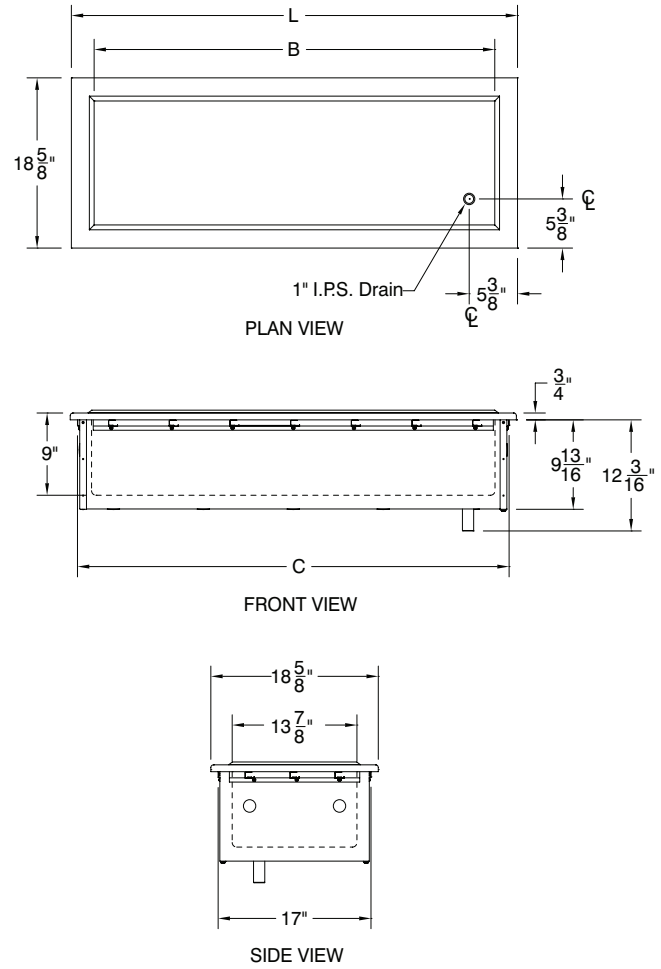
TOL ± .125"

ALL DIMENSIONS ARE TYPICAL

DICP SERIES



DISLCP SERIES



Optional Adapter Rails & Bars

DICP SERIES		DISLCP SERIES		Description
Model #	Fits Model:	Model #	Fits Model:	
SU-P-501	DICP-1			Two Left To Right Rails & Two Front-To-Back Supports. Includes Mounting Screws.
SU-P-502	DICP-2	SU-P-512	DISLCP-2	Two Left To Right Rails & Three Front-To-Back Supports. Includes Mounting Screws.
SU-P-503	DICP-3	SU-P-513	DISLCP-3	Two Left To Right Rails & Four Front-To-Back Supports. Includes Mounting Screws.
SU-P-504	DICP-4	SU-P-514	DISLCP-4	Two Left To Right Rails & Five Front-To-Back Supports. Includes Mounting Screws.
SU-P-505	DICP-5			Two Left To Right Rails & Six Front-To-Back Supports. Includes Mounting Screws.
SU-P-506	DICP-6			Two Left To Right Rails & Seven Front-To-Back Supports. Includes Mounting Screws.



Left To Right Rails & Front To Back Supports Shown Above



Horizontal Adapter Bars

For Small Pan Sizes

12" x 1"

Model # SU-45A

Works With Required Rail Kits
(See Grid On Left)

