



STAINLESS STEEL
DROP-IN SINKS
 One Compartment - FOR HAND SINK USE

Sinks Include Gooseneck Faucet & Drain



Item #: _____	Qty #: _____
Model #: _____	
Project #: _____	

FEATURES:

One piece seamless **Deep Drawn** sink bowl design.
 All sink bowls have a large liberal radii with a minimum dimension of 2" and are rectangular in design for increased capacity.
 Self-Rim Design. Mounting clips provided fit counters 7/8" to 2" thick. (Quantity supplied varies based on drop in sink ordered).
 Includes 4" O.C. **K-52** faucet.
 Includes 3" Drain Basket Drain*.
 *DI-1-25 Includes 2" Drain with Strainer Plate.

CONSTRUCTION:

Unit fabricated from one sheet of stainless steel.
 All bowls are Sound Deadened.
 Units feature Advance Tabco's **Smart Finish™**.

MECHANICAL:

Faucet supply is 1/2" IPS male thread.
 Deck mounted faucet is furnished with aerator and 4" O.C.
Faucet Flow Rate: 1.0 GPM/3.8 LPM aerator. 60 PSI.

MATERIAL:

20 gauge type 304 series stainless steel.
 Faucets are brass-nickel plated.
 Drains are 1-1/2" IPS.



STANDARD MOUNTING CLIPS
 For countertops over 7/8" and up to 2" thick.
 Replacement # **K-28** (Per Sink)

Available Faucets & Accessories	Model #	Qty
Deck Mounted 3 1/2" Gooseneck. 4" O.C.	K-52	
Deck Mounted 8 1/2" Gooseneck. 4" O.C.	K-55	
Deck Mounted Swing w/Spray. 8" O.C.*	K-58	
Deck Mtd. X.H.D. 3 1/2" Gooseneck. 4" O.C.	K-62	
Mounting Clips (Bag of 4).	K-28	

*REQUIRES **K-472** FAUCET HOLE REVISION



DI-1-5



DI-1-25



DI-1-5SP



DI-1-10

New 6" Rear & Side Splash



DI-1-10SP



DI-1-35

WARNING: Faucets on this page may expose you to chemicals, including lead, that are known to the State of California to cause cancer or birth defects or other reproductive harm. For more Info., visit www.p65warnings.ca.gov.



Customer Service Available To Assist You 1-800-645-3166 8:30 am - 7:00 pm E.S.T.

For Orders & Customer Service:
 Email: customer@advancetabco.com or Fax: 631-242-6900

For Smart Fabrication™ Quotes:
 Email: smartfab@advancetabco.com or Fax: 631-586-2933

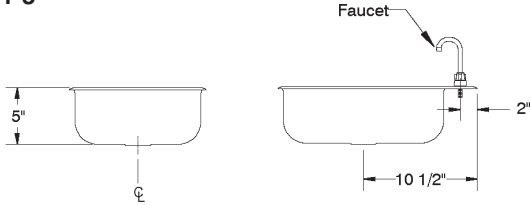
DIMENSIONS and SPECIFICATIONS

TOL ± .125"

Supplied with K-52 Faucet

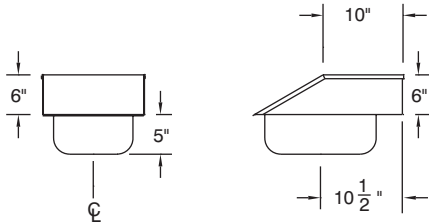
ALL DIMENSIONS ARE TYPICAL

DI-1-5



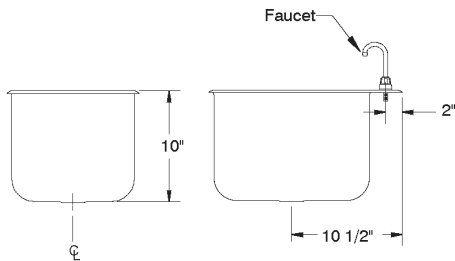
Approx. Wt. 12 lbs.

DI-1-5SP



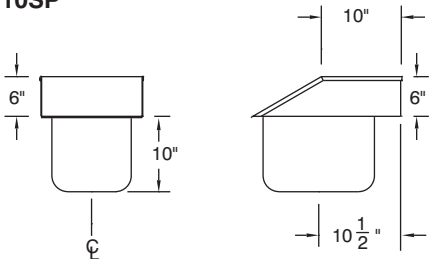
Approx. Wt. 16 lbs.

DI-1-10



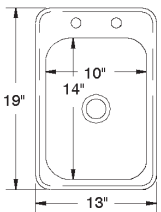
Approx. Wt. 14 lbs.

DI-1-10SP



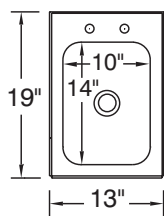
Approx. Wt. 18 lbs.

TOP VIEW FOR DI-1-5 & DI-1-10

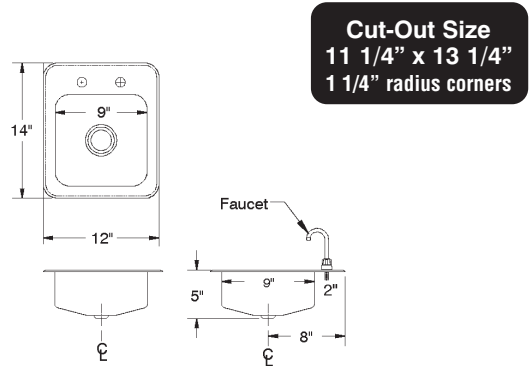


Cut-Out Size
12 1/4" x 18 1/4"
1 1/4" radius corners

TOP VIEW FOR DI-1-5SP & DI-1-10SP

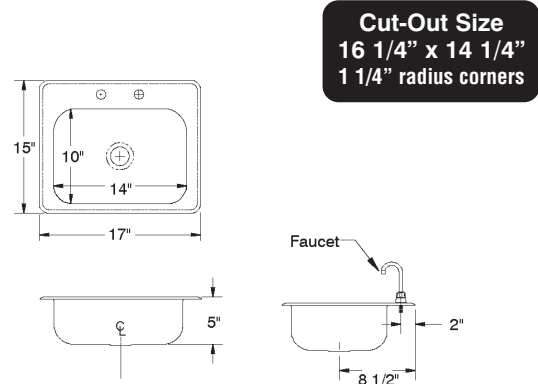


DI-1-25



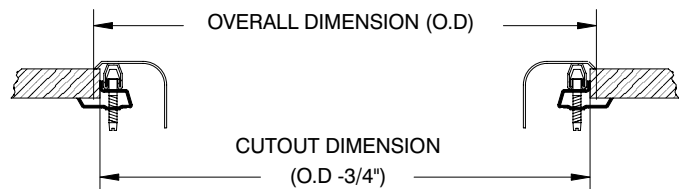
Approx. Wt. 8 lbs.

DI-1-35



Approx. Wt. 10 lbs.

TYPICAL INSTALLATION



Cut-Out Size = L to R x F to B

Standard Mounting Clips Fit Countertops
Over 7/8" & Up To 2" Thick.

