



CUSTOM SIZES AVAILABLE
Consult Factory For Details

STAINLESS STEEL Bar Drink Rails

Item #: _____ Qty #: _____

Model #: _____

Project #: _____

FEATURES:

- Type 300 Stainless Steel.
- 8" wide (Front to Back) x 3/4" deep.
- Perforated removable Grate allows for easy cleaning.
- 1" drain on right side.
- Designed to secure to underside of wood substrate.
- 1/4" Drain.

MATERIAL:

18 gauge, 300 stainless steel

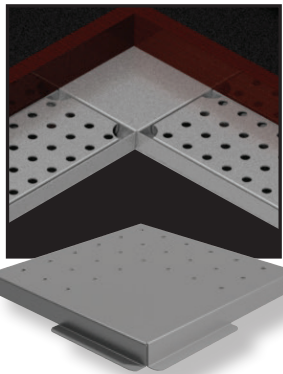
MECHANICAL:

- Installs with wood screws.
- Drain: 1/4" NPT Outside thread, 1/8" FPT Inside Thread.

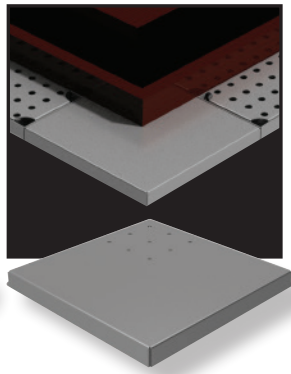
Model #	Size W x L	# of Grates	Approx. Weight	Approx. Cu. Ft.
DRKR-12	8" x 12"	1	10 lbs.	2
DRKR-18	8" x 18"	1	15 lbs.	2
DRKR-24	8" x 24"	1	20 lbs.	2
DRKR-30	8" x 30"	1	25 lbs.	3
DRKR-36	8" x 36"	1	30 lbs.	3
DRKR-42	8" x 42"	2	35 lbs.	3
DRKR-48	8" x 48"	2	40 lbs.	3

Optional Drink Rail Corners

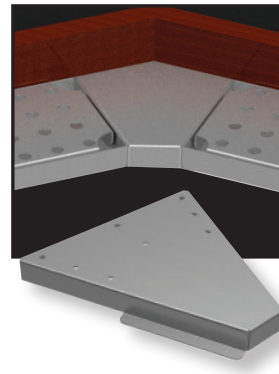
90° Inside Corner



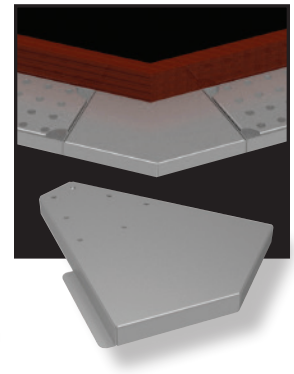
90° Outside Corner



45° Inside Corner



45° Outside Corner



Model #	Degrees of Angle	Approx. Weight	Approx. Cu. Ft.
Inside Corners for Drink Rails			
DRKC-90-IC	90°	3 lbs.	2
Outside Corners for Drink Rails			
DRKC-90-OC	90°	3 lbs.	2

Model #	Degrees of Angle	Approx. Weight	Approx. Cu. Ft.
Inside Corners for Drink Rails			
DRKC-45-IC	45°	3 lbs.	2
Outside Corners for Drink Rails			
DRKC-45-OC	45°	3 lbs.	2



Customer Service Available To Assist You 1-800-645-3166 8:30 am - 7:00 pm E.S.T.

For Orders & Customer Service:
Email: customer@advancetabco.com or Fax: 631-242-6900

For Smart Fabrication™ Quotes:
Email: smartfab@advancetabco.com or Fax: 631-586-2933

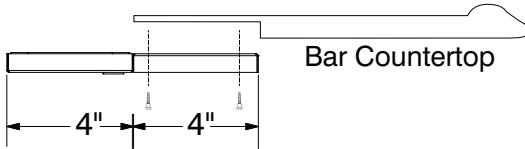
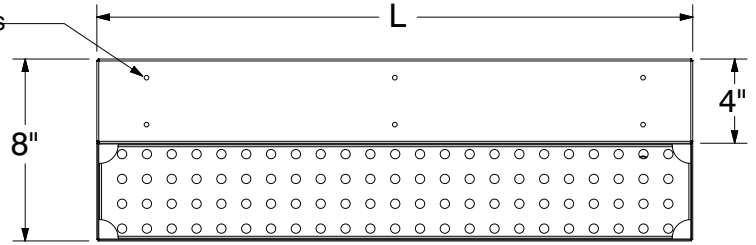
DIMENSIONS and SPECIFICATIONS

TOL Overall: $\pm .500"$ Interior: $\pm .250"$

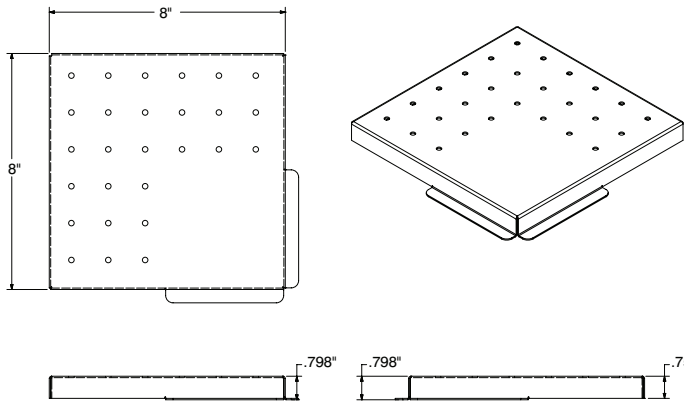
ALL DIMENSIONS ARE TYPICAL

DRKR SERIES

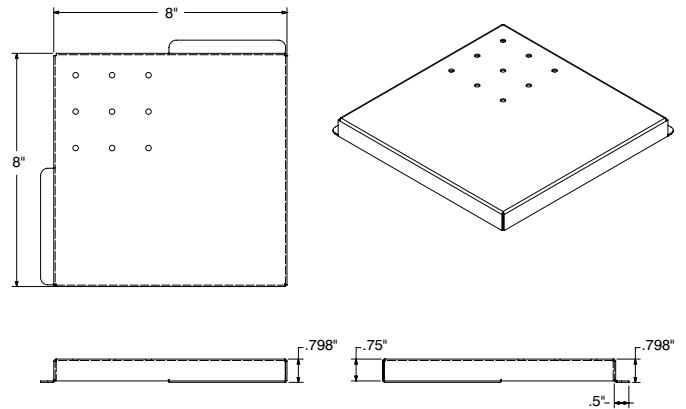
3/16" Mounting Holes
(Use #10 Screws)



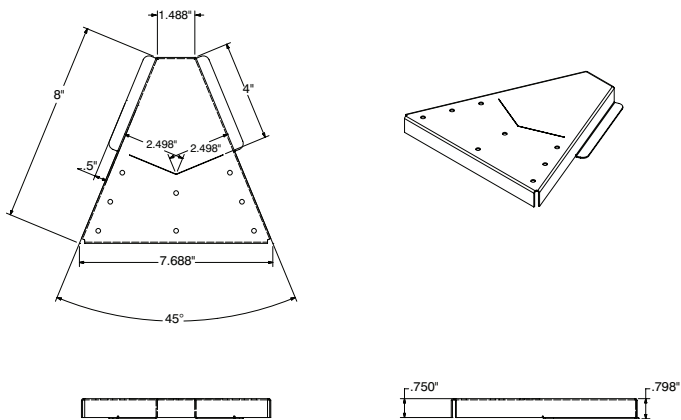
DRKC-90-IC Inside Corner



DRKC-90-OC Outside Corner



DRKC-45-IC Inside Corner



DRKC-45-OC Outside Corner

