



*Portable*  
**CDR-5 CONDIMENT HOLDER**

Item #: _____	Qty #: _____
Model #: _____	
Project #: _____	



**CDR-5**

**FEATURES:**

Heavy duty welded construction.  
Stainless steel.

**CONSTRUCTION:**

Fully welded 1" stainless steel square tube top & legs.  
Stainless steel top accommodates "5" 1/3 standard pans (6-5/16" x 12"). Pans not included.  
Plastic caps at base of tubular legs.

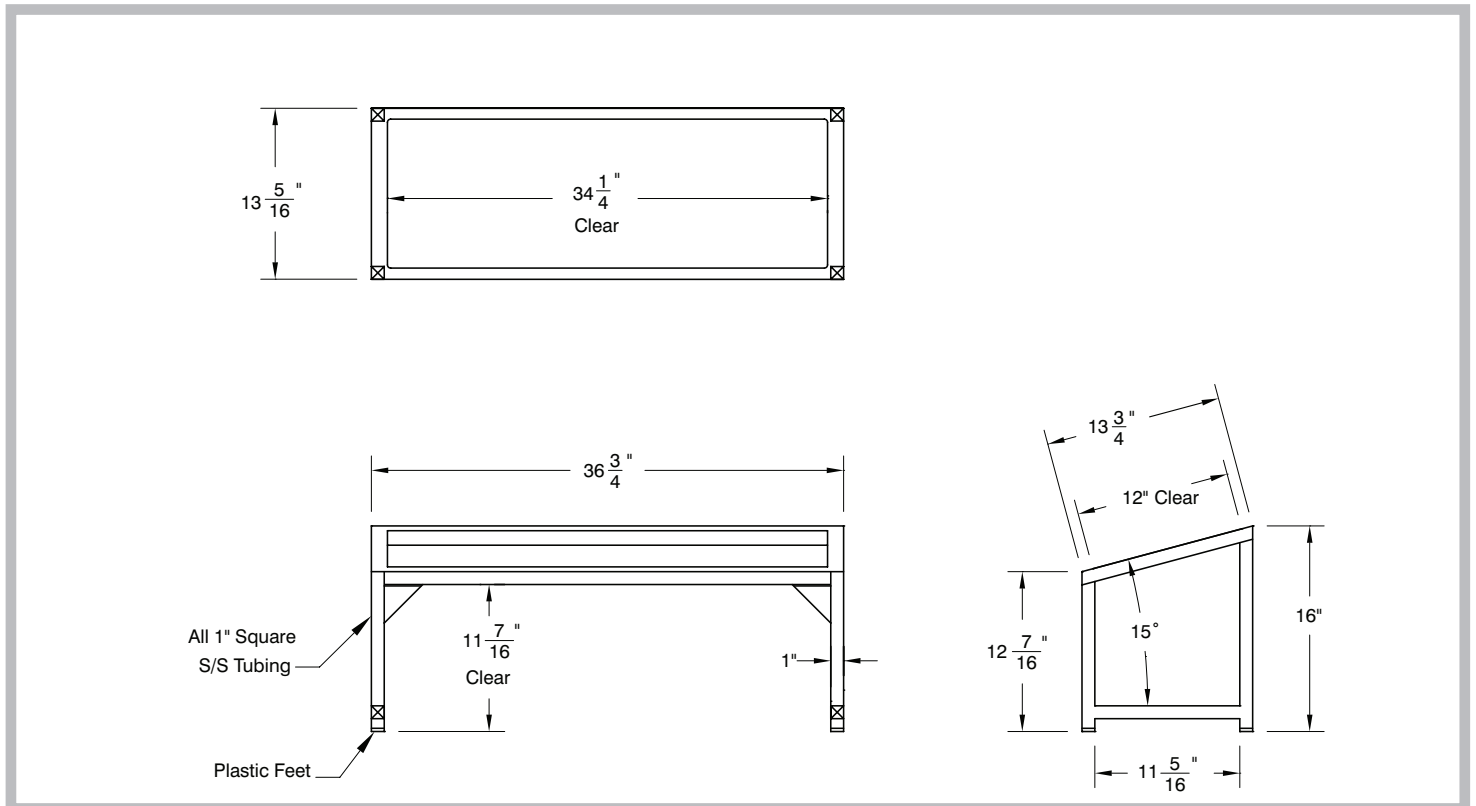
**MATERIAL:**

18 gauge stainless steel.

## DETAILS and SPECIFICATIONS

TOL ± .500"

ALL DIMENSIONS ARE TYPICAL



**Customer Service Available To Assist You 1-800-645-3166 8:30 am - 7:00 pm E.S.T.**

For Orders & Customer Service:  
Email: [customer@advancetabco.com](mailto:customer@advancetabco.com) or Fax: 631-242-6900

For Smart Fabrication™ Quotes:  
Email: [smartfab@advancetabco.com](mailto:smartfab@advancetabco.com) or Fax: 631-586-2933