



STAINLESS STEEL CLEANROOM TABLES

Item #: _____ Qty #: _____
 Model #: _____
 Project #: _____

SOLID TOP



FEATURES:

Solid Top furnished with 1 5/8" rolled rim edge on front and back. Sides are flat turned down. Sturdy solid tops are reinforced with welded stainless steel hat channels. 2 1/2" solid border dimension on front and back.

CONSTRUCTION:

All TIG welded. Exposed weld areas polished to match adjacent surface.
 Stud welded channels reinforces and maintains a level working surface.
 Gussets welded to support channels.

MATERIAL:

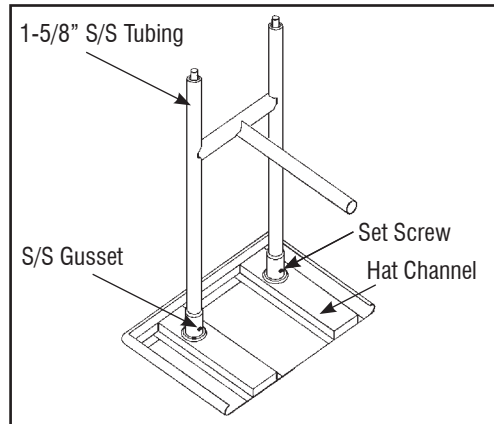
- TOP:** 14 gauge stainless steel type "304" series for cleanrooms with a class 100-100,000 rating.
- LEGS:** 1 5/8" diameter tubing 16 gauge type "304" series stainless steel. Stainless steel hat channels & gussets.
 1" adjustable plastic bullet feet.

SOLID TOP

Width	MODEL #	Length	Wt.
24"	CRTK-244	48"	61 lbs.
	CRTK-245	60"	70 lbs.
	CRTK-246	72"	84 lbs.
30"	CRTK-300	30"	60 lbs.
	CRTK-304	48"	72 lbs.
	CRTK-305	60"	100 lbs.
	CRTK-306	72"	140 lbs.
36"	CRTK-308	96"	180 lbs.
	CRTK-364	48"	82 lbs.
	CRTK-365	60"	105 lbs.
	CRTK-366	72"	150 lbs.
48"	CRTK-368	96"	190 lbs.
	* CRTK-485	60"	148 lbs.
	* CRTK-486	72"	184 lbs.
	* CRTK-488	96"	195 lbs.

OPTIONAL ACCESSORIES

OPTIONAL ACCESSORIES	MODEL #	Qty
Keyboard Drawer	CA-101	
Casters	CA-25	
Drawers	CA-2015	
Electropolish	CA-100	
Spec. Modification Chg.	CA-61	
Special Working Hght.	CA-33	



Customer Service Available To Assist You 1-800-645-3166 8:30 am - 7:00 pm E.S.T.

For Orders & Customer Service:
 Email: customer@advancetabco.com or Fax: 631-242-6900

For Smart Fabrication™ Quotes:
 Email: smartfab@advancetabco.com or Fax: 631-586-2933

DETAILS and SPECIFICATIONS

All Dimensions are Typical (tol. \pm .500")

All Units Shipped Unassembled (KD) for Reduced Shipping Costs.

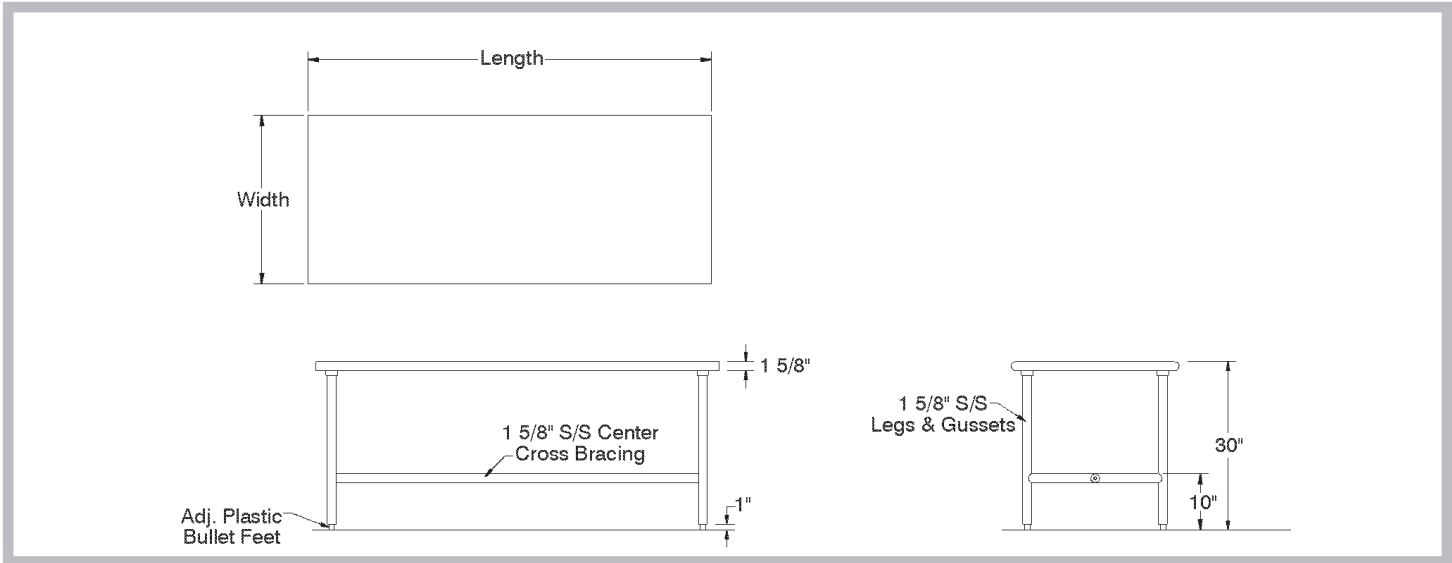


Table Accessories



Model #	Description
BA-10	Special Modification Charge for Gowning Benches
BA-11	Stainless Steel Flanged Feet
BA-12	Plastic Bullet Feet (replace.)
BA-13	Electropolish for Gowning Benches
BA-14	Welded Setup for Gowning Benches
CA-19	Stainless Steel Flange Foot
CA-23	Welded and Crated Setup for Tables
CA-25	5" Cleanroom Conductive Casters
CA-33	Special Working Height
CA-61	Special Modification Charge
CA-100	Electropolish Finish (RA-10) For Tables and Shelves
CA-101	Solid Keyboard Drawer (solid top tables only)
CA-102	Cleanroom Complete Leg Assembly
CA-104	Cross Bracing Modification
GH-12	One Dozen Stainless Steel Closed Loop Hangers

MODEL #	Qty
BA-10	
BA-11	
BA-12	
BA-13	
BA-14	
CA-19	
CA-23	
CA-25	
CA-33	
CA-61	
CA-100	
CA-101	
CA-102	
CA-104	
GH-12	

