



# STAINLESS STEEL EVERYDAY BUFFET ICE-COOLED TABLES WITH ENCLOSED BASE



Item #: \_\_\_\_\_ Qty #: \_\_\_\_\_  
 Model #: \_\_\_\_\_  
 Project #: \_\_\_\_\_

**FEATURES:**

- 4" Swivel Casters, with two brakes
- Double sided sneeze guard & side panels
- Fiberglass insulation
- Removable access panel
- Optional Adapter bars for food pans available

**MATERIAL:**

- TOP:** 18 gauge #304 stainless steel welded frame
- BODY:** 20 gauge steel available in matte black vinyl clad
- SNEEZE GUARD:** 1/4" Thermoplastic Polymer
- INSULATION:** Fiberglass insulation
- LINERS:** 8" deep, 18 Gauge stainless steel

**PLUMBING:**

- 1" I.P.S. drain



B4-CPU-SB Shown

| Model       | Length (L) | Inside Well (A) | Weight (lbs.) | Cubic Feet |
|-------------|------------|-----------------|---------------|------------|
| B2-CPU-B-SB | 31-13/16"  | 27-5/16"        | 235           | 53         |
| B3-CPU-B-SB | 47-1/8"    | 42-5/8"         | 260           | 76         |
| B4-CPU-B-SB | 62-7/16"   | 58"             | 320           | 97         |
| B5-CPU-B-SB | 77-3/4"    | 73-1/4"         | 360           | 119        |

**Optional Accessories**



**10" Wide Stainless Steel Tray Shelves**

| STATIONARY |            | DROP-DOWN |            |           |         |
|------------|------------|-----------|------------|-----------|---------|
| Model      | Approx Wt. | Model     | Approx Wt. | Length    | Cu. ft. |
| TTS-2      | 9 lbs.     | TTS-2D    | 11 lbs.    | 31-13/16" | 1       |
| TTS-3      | 12 lbs.    | TTS-3D    | 14 lbs.    | 47-3/4"   | 1       |
| TTS-4      | 15 lbs.    | TTS-4D    | 17 lbs.    | 62-3/4"   | 2       |
| TTS-5      | 18 lbs.    | TTS-5D    | 20 lbs.    | 77-3/4"   | 2       |
| TTS-6      | 21 lbs.    | TTS-5D    | 23 lbs.    | 93-1/8"   | 2       |

Visit our website for more Everyday Buffet Accessories!

**10" Wide Stainless Steel Tray Rails**

| STATIONARY |            | DROP-DOWN |            |           |         |
|------------|------------|-----------|------------|-----------|---------|
| Model      | Approx Wt. | Model     | Approx Wt. | Length    | Cu. ft. |
| TTR-2      | 8 lbs.     | TTR-2D    | 9 lbs.     | 31-13/16" | 1       |
| TTR-3      | 10 lbs.    | TTR-3D    | 11 lbs.    | 47-3/4"   | 1       |
| TTR-4      | 13 lbs.    | TTR-4D    | 14 lbs.    | 62-3/4"   | 2       |
| TTR-5      | 17 lbs.    | TTR-5D    | 18 lbs.    | 77-3/4"   | 2       |
| TTR-6      | 22 lbs.    | TTR-5D    | 23 lbs.    | 77-3/4"   | 2       |



Customer Service Available To Assist You 1-800-645-3166 8:30 am - 7:00 pm E.S.T.

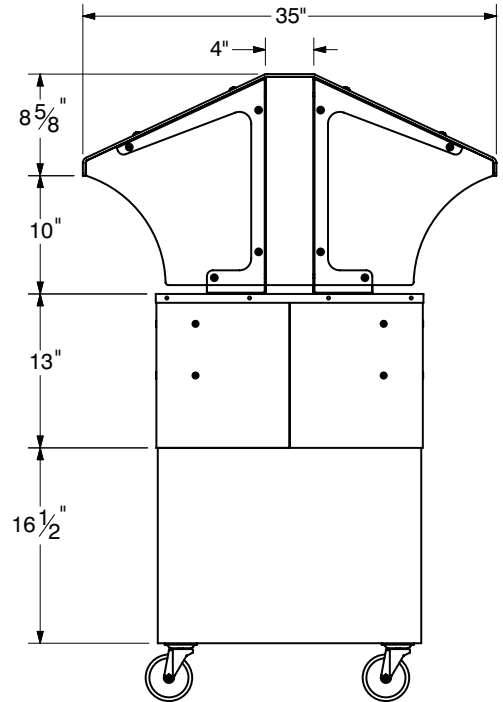
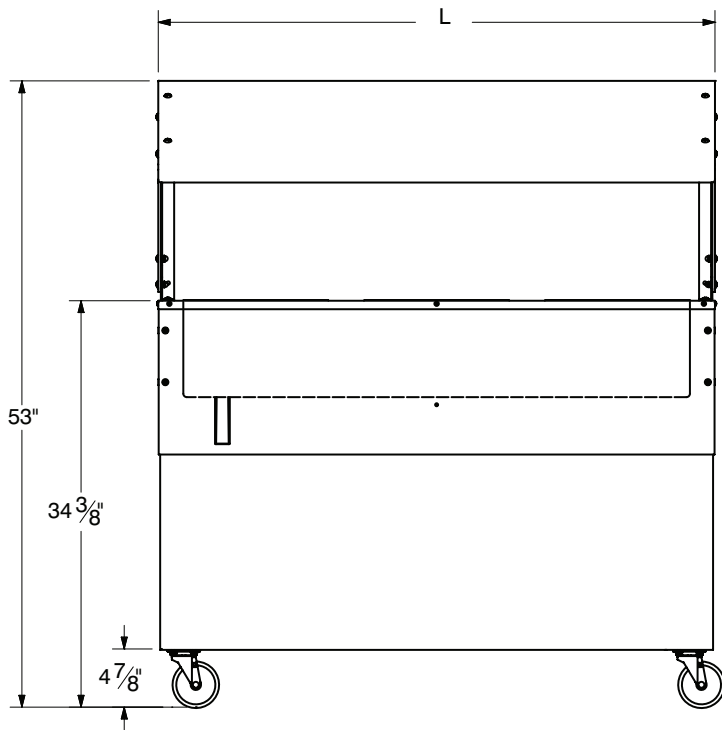
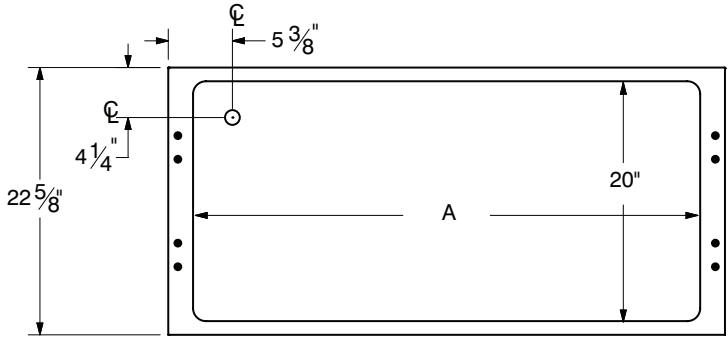
For Orders & Customer Service:  
 Email: customer@advancetabco.com or Fax: 631-242-6900

For Smart Fabrication™ Quotes:  
 Email: smartfab@advancetabco.com or Fax: 631-586-2933

# DIMENSIONS and SPECIFICATIONS

TOL  $\pm$  .125"

ALL DIMENSIONS ARE TYPICAL



325 Wireless Boulevard, Hauppauge, NY 11788

ADVANCE TABCO is constantly engaged in a program of improving our products. Therefore, we reserve the right to change specifications without prior notice.

© ADVANCE TABCO, OCTOBER 2024