



STAINLESS STEEL ENCLOSED BASE BEVERAGE TABLE WITH GLASS RACK



Conforms To NSF 61/9 Lead Free Requirements



BEV-30-60L-GR Shown

Item #: _____ Qty #: _____
 Model #: _____
 Project #: _____

Model #	Length	A	B	C	Wt.
BEV-30-48LorR-GR*	48"	18"	12"	N/A	230 lbs.
BEV-30-60LorR-GR*	60"	24"	14"	12"	250 lbs.
BEV-30-72LorR-GR*	72"	36"	20"	24"	300 lbs.
BEV-30-84LorR-GR*	84"	36"	20"	36"	350 lbs.
BEV-30-96LorR-GR*	96"	36"	20"	48"	400 lbs.
BEV-30-120LorR-GR*	120"	36"	20"	72"	450 lbs.
BEV-30-144LorR-GR*	144"	36"	20"	96"	500 lbs.



FEATURING BOLT-ON
STAINLESS STEEL LEG

***SPECIFY SINK LEFT OR RIGHT END:**

Please designate left or right sink location by using **L** or **R** after model number when ordering (Example: BEV-30-48L-GR or BEV-30-48R-GR)

FEATURES:

Top is furnished with a 2" x 1" square die embossed No-Drip countertop offset edge with 1/2" return on 3 sides and a 10" splash with a 2" return on the rear side.

UNIT BODY DESIGN sides, back and shelf are welded to form a single rigid structure. Furnished with a stainless steel intermediate shelf and a 14" x 16" x 12" sink bowl integrally welded to top. Includes 4 glass rack slides. 1 1/2" I.P.S. basket type drain.

TOP is assembled to body to form a flush fit and is supplied with a 5" x 1" urn trough with no-splash drain plate.

G.F.I. duplex electrical outlet mounted in back splash.

Front hinge door and open back under sink area permits ease-of-installation of plumbing fixtures. Partial undershelf for storage.

Easy to install - multi-purpose unit.

MATERIAL:

TOP is 14 gauge stainless steel type "304" series.

BODY is 18 gauge stainless steel type "430" series.

LEGS are stainless steel and include 1 1/2" adjustable hex foot.

FAUCET is splash mounted 4" O.C. with an 8 1/2" wide gooseneck spout. Supply is 1/2" hot and cold.

CONSTRUCTION:

All TIG welded.

TOP and all exposed surfaces are mechanically polished to a satin finish and sound deadened.

Countertop edge is polished to a MIRROR finish.

Roll formed embossed galvanized hat channels are secured to top by means of structural adhesive and weld studs.

Legs bolt on to table base.

WARNING: Equipment that include faucets on this page may contain a chemical known to the State of California to cause cancer, birth defects or other reproductive harm.



Customer Service Available To Assist You **1-800-645-3166** 8:30 am - 7:00 pm E.S.T.

For Orders & Customer Service:

Email: customer@advancetabco.com or Fax: 631-242-6900

For Smart Fabrication™ Quotes:

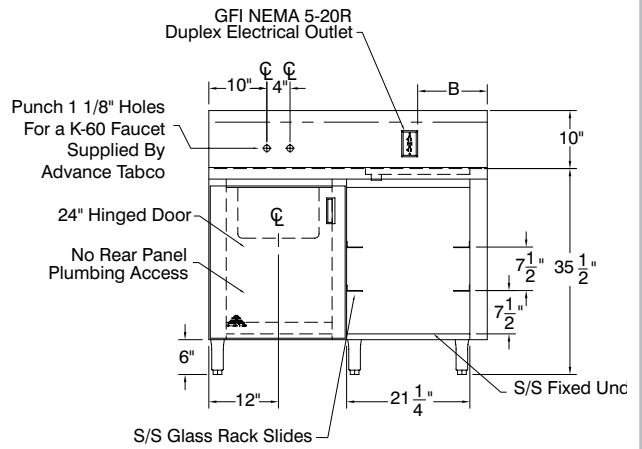
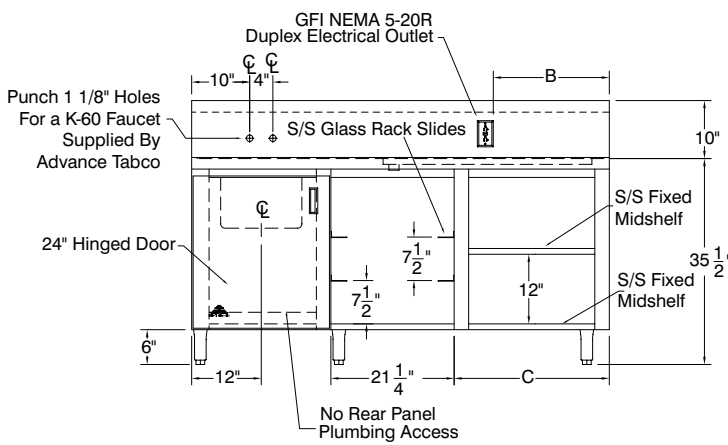
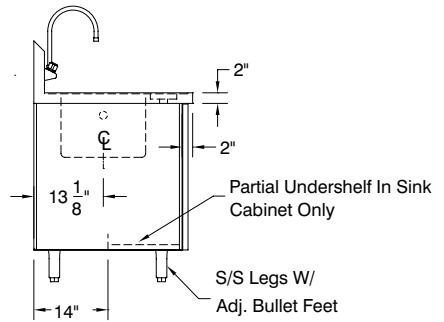
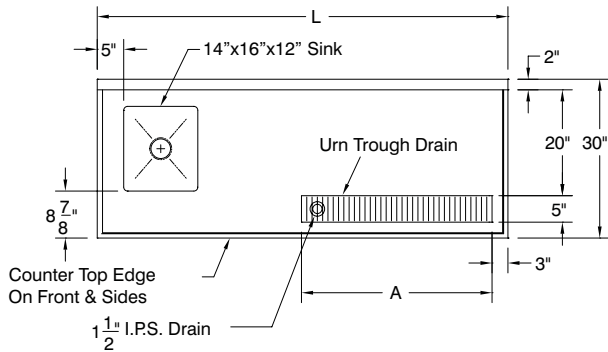
Email: smartfab@advancetabco.com or Fax: 631-586-2933

DETAILS and SPECIFICATIONS

TOL ± .500"

ALL DIMENSIONS ARE TYPICAL

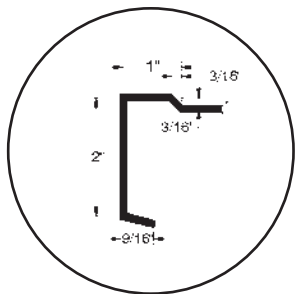
14" x 16" x 12" Sink Bowl



BEV-30-48L-GR Shown

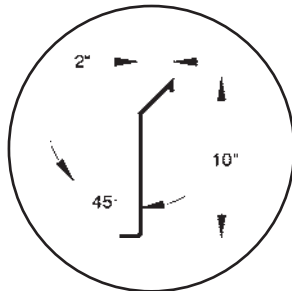
PLEASE NOTE:

48" Wide unit does not have Midshelves



COUNTERTOP EDGE
DETAIL

SPLASH DETAIL



SUGGESTED PLUMBING

Rear of sink cabinet is open for easy plumbing installation

