



16 GAUGE STAINLESS STEEL

FLOOR MOUNTED SERVICE SINK WITH TUBULAR LEGS & CROSS BRACING WITH/WITHOUT MANUAL FAUCET



"-F" Series Sink Includes K-159 Gooseneck Faucets

Item #: _____ Qty #: _____

Model #: _____

Project #: _____



FEATURES:

- 8 1/2" high backsplash.
- 12" sink bowl depth.
- One stainless steel "Z" bracket supplied each unit.
- One K-6 3 1/2" rear basket drain.
- Tubular stainless steel legs with flanged feet.
- Side & rear adjustable cross-bracing with leg clamps.
- Manual Operated:** Faucets sold separately.
- "-F" Series includes one K-159 3 1/2" gooseneck faucet.

CONSTRUCTION:

All TIG welded.
Welded areas blended to match adjacent surfaces and to a satin finish.

MATERIAL:

All 16 gauge type "304" stainless steel.
1 5/8" tubular "304" stainless steel legs & cross-bracing.
Stainless steel gussets.

MECHANICAL:

8" O.C. faucet holes punched.

Model #	L	W	# of Faucets Sink Accommodates	# of Faucets Included	Wt.	Cu. Ft.
WSS-16-31-FM	31"	19 1/2"	1	0 <small>(Faucets Not Included)</small>	75 lbs.	14
WSS-16-31-FM-F	31"	19 1/2"	1	1 <small>(K-159 Faucet Included)</small>	75 lbs.	14

[Click Here For Install Guide](#)



MULTI-STATION ACCESSORIES & REPLACEMENT PARTS

Model	Description	QTY:
K-6	3 1/2" Drain (1 1/2" I.P.S.)	_____
K-13	Stainless Steel Soap Dispenser (Wall Mount Only)	_____
K-06	Splash Mount Faucet Mounting Kit	_____
K-101	8" Swing Spout Splash Mt. Faucet	_____
K-159	Splash Mounted 3-1/2" Gooseneck Faucet (8" O.C.)	_____
K-160	Splash Mounted 6" Swivel Spout Faucet (8" O.C.)	_____
K-410	Strainer Plate for 3-1/2" Drain	_____
K-1118	Extra H.D. 8" Splash Mounted Faucet	_____
K-316-LU	Wrist Handles	_____
K-472	Faucet Hole Revision <i>(Manual Faucet Operated Sinks Only)</i>	_____
K-508	Special Sizing Charge <i>(Larger Size Cut Down To Smaller Size)</i>	_____
TA-19	Adjustable Stainless Steel Flanged Bullet Foot	_____



K-159



K-160



K-101



K-13



= Ships UPS

Standard Faucets conform to NSF 61 Standard 9 and compliance to AB 1953 Standards.

WARNING: Equipment that include faucets on this page may contain a chemical known to the State of California to cause cancer, birth defects or other reproductive harm.



Customer Service Available To Assist You 1-800-645-3166 8:30 am - 7:00 pm E.S.T.

For Orders & Customer Service:

Email: customer@advancetabco.com or Fax: 631-242-6900

For Smart Fabrication™ Quotes:

Email: smartfab@advancetabco.com or Fax: 631-586-2933

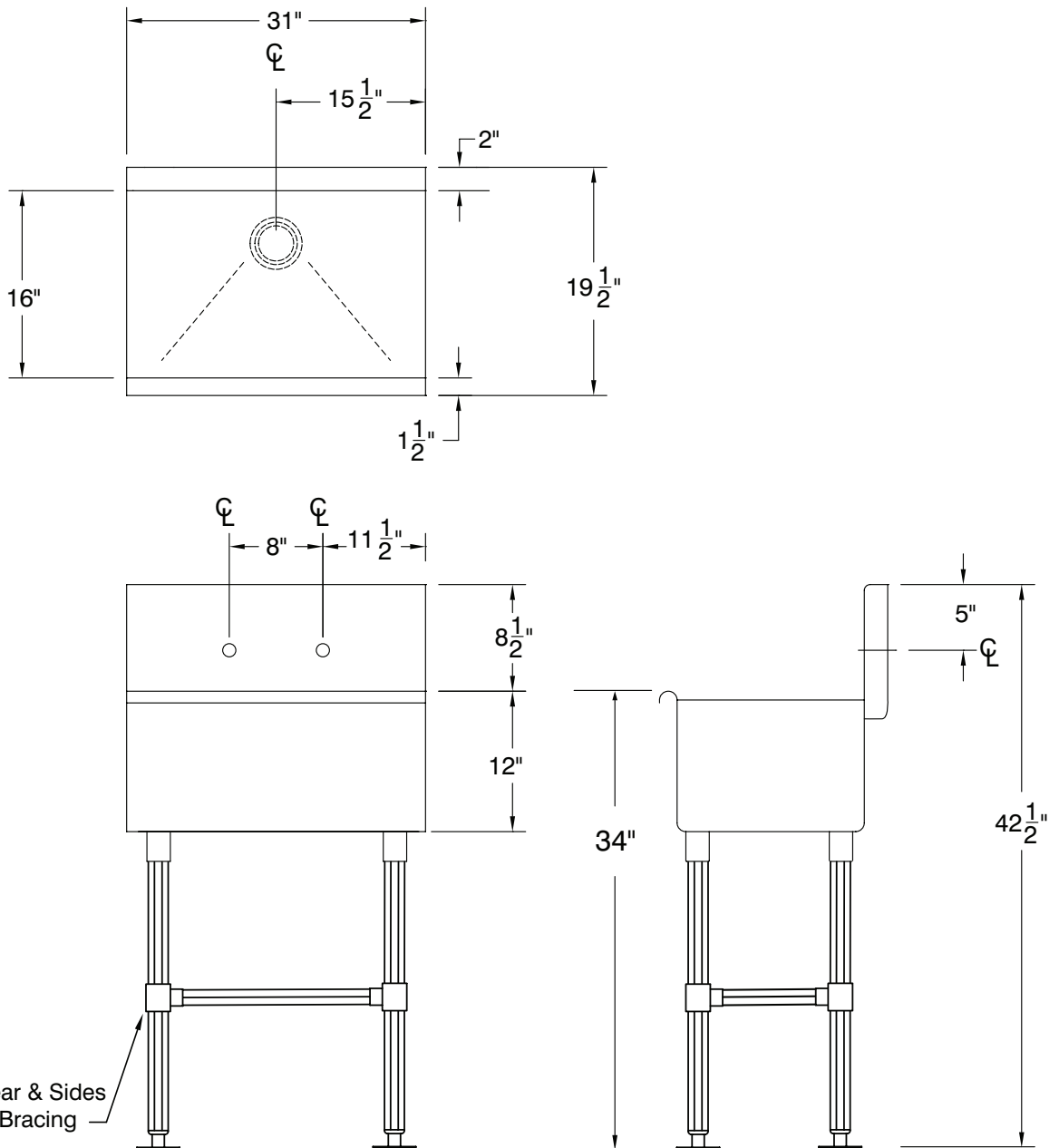
DETAILS and SPECIFICATIONS

TOL ± .500"

FITTINGS SUPPLIED AS SHOWN

ALL DIMENSIONS ARE TYPICAL

WSS-16-31-FM



Stainless Steel Rear & Sides
Adjustable Cross-Bracing

75 lbs.

