

PRSJT-12-DR



Shown With Slim Jim® Trash Can (Not Included)

PRSJT-12



Shown In Between Equipment With Slim Jim® Trash Can (Not Included)



Item #: \_\_\_\_\_ Qty #: \_\_\_\_\_

Model #: \_\_\_\_\_

Project #: \_\_\_\_\_

#### FEATURES:

- All stainless steel construction.
- Helps keep bar area clean.
- Open bottom with Hinged Door.
- Accommodates Slim Jim® Trash Can measuring 11" x 20" x 25 (15 7/8 gallon capacity).
- Trash can not included.

#### MATERIAL:

20 gauge, 300 stainless steel

Model #	Size L x W x H	Approx. Weight	Approx. Cu. Ft.
<b>36" High Trash Receptacle Cabinet</b>			
PRSJT-12-DR	12" x 25" x 36"	60 lbs.	9
<b>Trash Receptacle Cover</b>			
PRSJT-12	12" x 25" x 19"	33 lbs.	4

**NOTE: PRSJ-12 Must Be Bolted Between Adjacent Units For Use.**

PRT-12



Shown With Slim Jim® Trash Can (Not Included)



#### FEATURES:

- All stainless steel construction.
- Helps keep bar area clean.
- Open bottom with Hinged Door.
- Accommodates Slim Jim® Trash Can measuring 11" x 20" x 25 (15 7/8 gallon capacity) - trash can not included.
- Units mount between equipment line up.
- Removable stainless steel Sliding Cover.

#### MATERIAL:

20 gauge, 300 stainless steel

#### 19" High Trash Receptacle Cabinet

Model #	Size L x W x H	Approx. Weight	Approx. Cu. Ft.
PRT-12*	12" x 25" x 19"	35 lbs.	4

**NOTE: PRT-12 Must Be Bolted Between Adjacent Units For Use.**

#### OPTIONAL LEGS SUPPORT For PRSJ-12 & PRT-12 Models

Add a pair of legs on left or right side, to support where the unit cannot be attached to adjoining equipment. Adds 3" to the left-to-right size of the trash area.



Shown With SU-48L and SU-48R

Model #	Side To Mount Legs
SU-48L	Mounts Legs On Left Side Of Unit
SU-48R	Mounts Legs On Right Side Of Unit

**Customer Service Available To Assist You 1-800-645-3166 8:30 am - 7:00 pm E.S.T.**

For Orders & Customer Service:

Email: [customer@advancetabco.com](mailto:customer@advancetabco.com) or Fax: 631-242-6900

For Smart Fabrication™ Quotes:

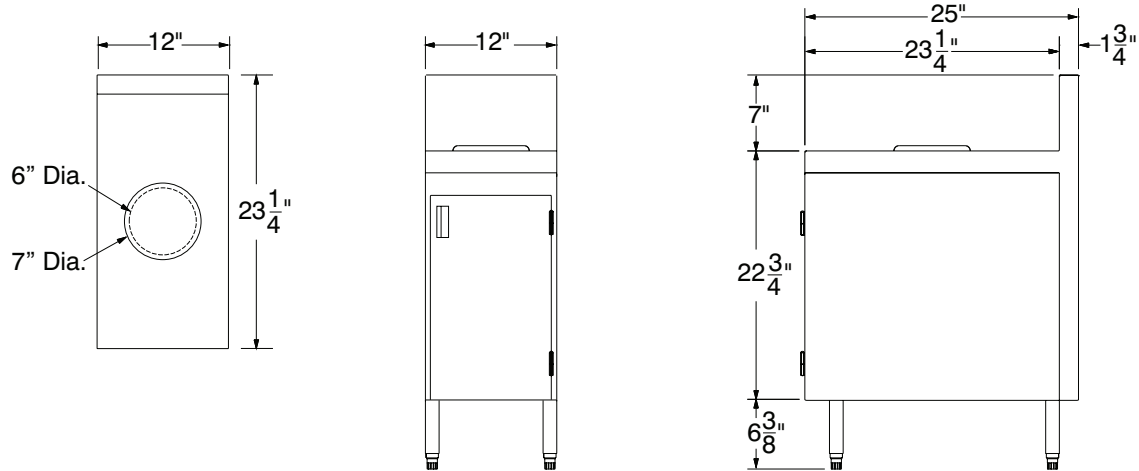
Email: [smartfab@advancetabco.com](mailto:smartfab@advancetabco.com) or Fax: 631-586-2933

# DIMENSIONS and SPECIFICATIONS

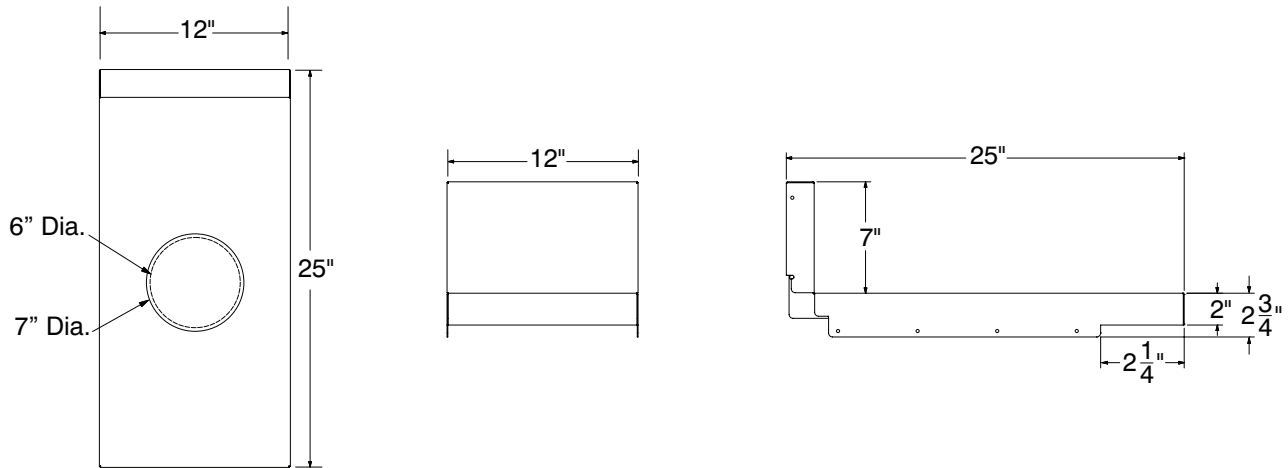
TOL Overall: ± .500" Interior: ± .250"

ALL DIMENSIONS ARE TYPICAL

## PRSJT-12-DR



## PRSJT-12



## PRT-12

