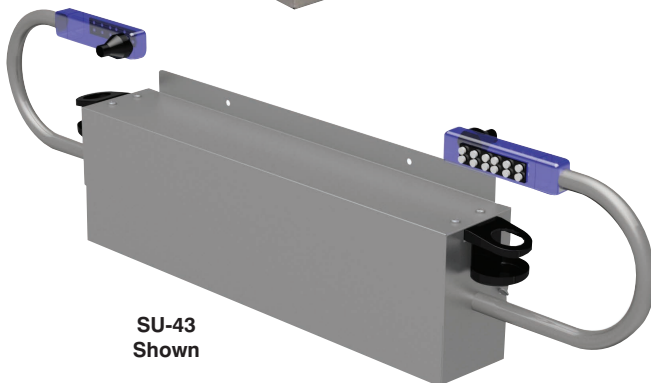




PRSH-19-6  
Shown



SU-43  
Shown

Item #: \_\_\_\_\_ Qty #: \_\_\_\_\_

Model #: \_\_\_\_\_

Project #: \_\_\_\_\_

### FEATURES:

- Mounts into Prestige underbar line up.
- All stainless steel construction.
- Provides housing for WunderBar® Soda Gun (14-button or smaller).
- Built-in soda gun holder with drip cup.
- Cover allows easy access to make adjustments.
- Keeps tubing lines hidden for a cleaner work area.
- Mounts in underbar equipment line up.
- Includes backsplash.

### MATERIAL:

**Structure:** 20 gauge, 300 stainless steel

**Access Panel:** 18 gauge, 300 stainless steel

### MECHANICAL:

- Drain connection required on drip cup.
- Fastens to adjacent units.

### Single Soda Gun Holder For Prestige Underbar Units

Model #	L	W	H	Approx. Weight	Approx. Cu. Ft.
PRSH-19-4	20"	4"	21"	19 lbs.	3
PRSH-19-6	20"	6"	21"	19 lbs.	3
PRSH-24-4	25"	4"	21"	20 lbs.	3
PRSH-24-6	25"	6"	21"	20 lbs.	3

Overall height is 36" from the finished floor to the top of the splash

**NOTE: Drain Connection Is Required On Drip Cup**

### Dual Soda Gun Holder For Prestige Pass-Thru Workstations Only

Model #	O.A. Length	O.A. Width	O.A. Height	Approx. Weight	Approx. Cu. Ft.
SU-43	28 5/8"	6"	10"	15 lbs.	3

**NOTE: Drain Connection Is Required On Drip Cup**

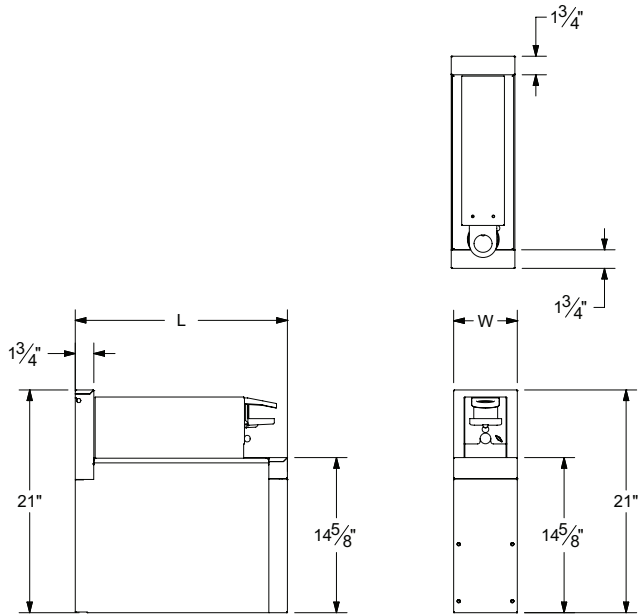
# DIMENSIONS and SPECIFICATIONS

TOL Overall: ± .500" Interior: ± .250"

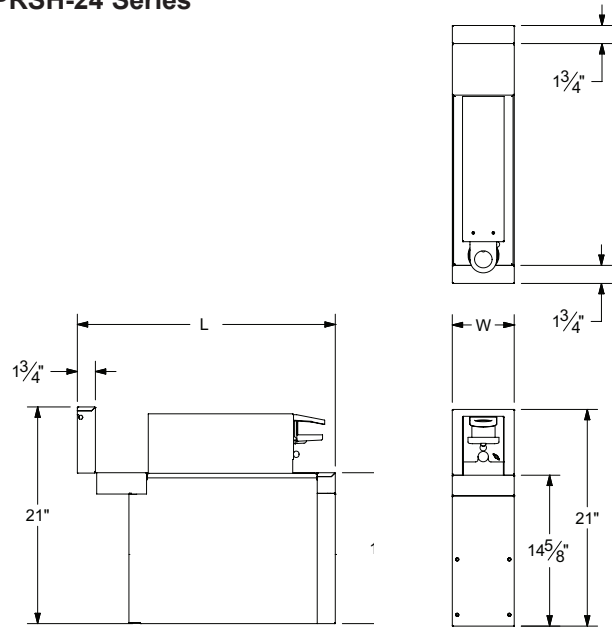
ALL DIMENSIONS ARE TYPICAL

## SODA GUN HOLDER FOR PRESTIGE UNDERBAR UNITS (Excludes Prestige® Pass-Thru workstations. See SU-43 Below)

### PRSH-19 Series

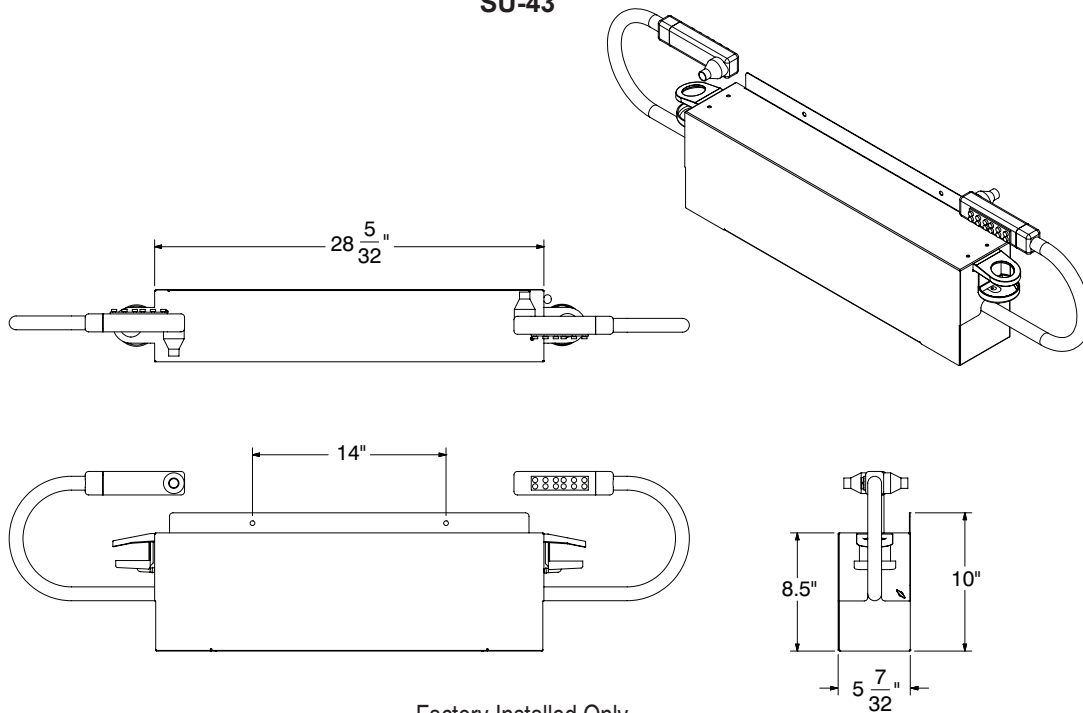


### PRSH-24 Series



## SODA GUN HOLDER FOR PRESTIGE PASS-THRU WORKSTATIONS

### SU-43



Factory Installed Only

