



PRESTIGE
Signature Series

Blender Station w/ Deep Drawn Sink 25" and 30" Wide Units

Item #:	_____	Qty #:	_____
Model #:	_____		
Project #:	_____		



PRRS-19 Series
25" Wide Units With A
Splash Mount Faucet



PRRS-24 Series
30" Wide Units With A
Deck Mount Faucet



**Deep Drawn
Seamless Sink Bowl**



**15A - 120V GFI Duplex
Receptacle Hidden Beneath
Blender Shelf**

FEATURES:

- One piece recessed **Deep Drawn** sink
- Recessed blender shelf with grommet hole
- 15A - 120V electrical GFI duplex outlet hidden beneath shelf for blenders.
- Sound deadened
- Stainless steel top, apron, sides and legs with 1" adjustable stainless steel bullet feet
- Adjustable side cross-bracing
- 7" backsplash
- PRRS-24 Series** has rear deck for extra storage

MECHANICAL:

- PRRS-19 Series:** Includes K-125 splash mount faucet
- PRRS-24 Series:** Includes K-51 deck mount faucet
- All faucets meet federal lead free standards**
- 1 1/2" IPS Outlet Drain
- 15A - 120V duplex receptacle

OPTIONAL:

- A-15** - Chrome towel ring (packed loose)
- K-316-LU** - Add wrist handles
- SU-24** - Connect underbar equipment

MATERIAL:

- 20 gauge, 300 stainless steel
- Blender Shelf Sides:** 14 gauge, 300 stainless steel
- Legs:** 1 5/8" O.D. 18 gauge, 300 stainless steel with 1" adjustable stainless steel bullet feet

Conforms To NSF 61/9 Lead Free Requirements

25" WIDE Model #	Bowl Size	Approx. Weight	Approx. Cu. Ft.	30" WIDE Model #	Bowl Size	Approx. Weight	Approx. Cu. Ft.	Overall Length (L)
PRRS-19-12	9"x 9"x 4"	49 lbs.	9	PRRS-24-12	9"x 9"x 4"	51 lbs.	9	12"
PRRS-19-18	10"x 14"x 7"	56 lbs.	9	PRRS-24-18	10"x 14"x 7"	58 lbs.	12	18"

NOTE: Blender Stations Can Not Accommodate A Speed Rail

WARNING: Equipment that include faucets on this page may contain a chemical known to the State of California to cause cancer, birth defects or other reproductive harm.



Customer Service Available To Assist You 1-800-645-3166 8:30 am - 7:00 pm E.S.T.

For Orders & Customer Service:
Email: customer@advancetabco.com or Fax: 631-242-6900

For Smart Fabrication™ Quotes:
Email: smartfab@advancetabco.com or Fax: 631-586-2933

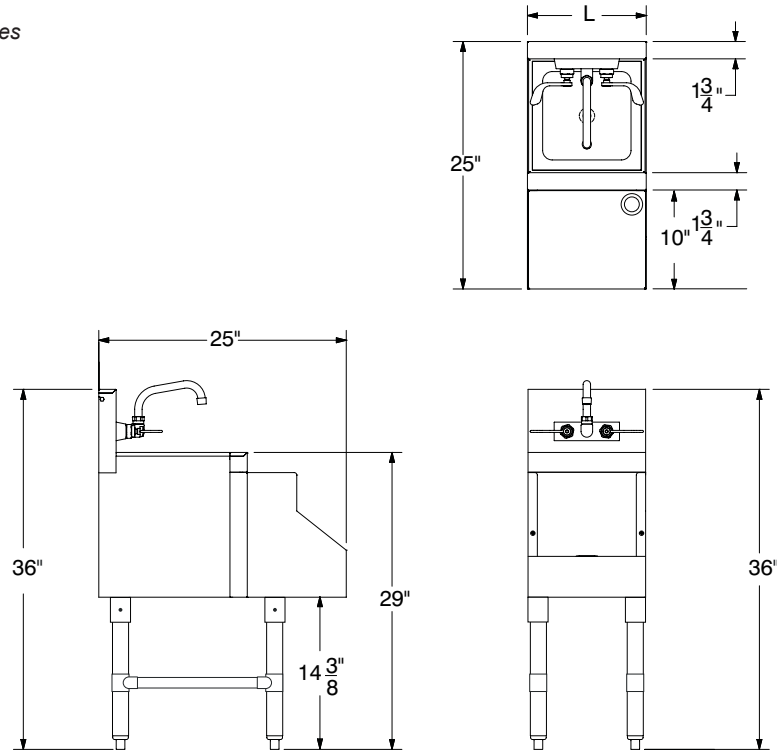
DIMENSIONS and SPECIFICATIONS

TOL Overall: ± .500" Interior: ± .250"

ALL DIMENSIONS ARE TYPICAL

PRRS-19 Series

Shown with optional wrist handles



PRRS-24 Series

Shown with optional wrist handles

