



ALUMINUM

KNOCK DOWN HALF SIZE PAN RACK With Removable Aluminum Top



Item #: _____ Qty #: _____
 Model #: _____
 Project #: _____

Knock Down Style

Removable Aluminum Top

3 7/8" shelf spacing*, 7 pan capacity, 5" poly stem bolted casters, 1 1/2" ribbed angles.

CONSTRUCTION:

Knock Down. Assembly Required.

Solid Aluminum Top

500 lbs. evenly distributed weight.

MATERIAL:

6063-T52 extruded aluminum angles, upright tubing, and support pieces.

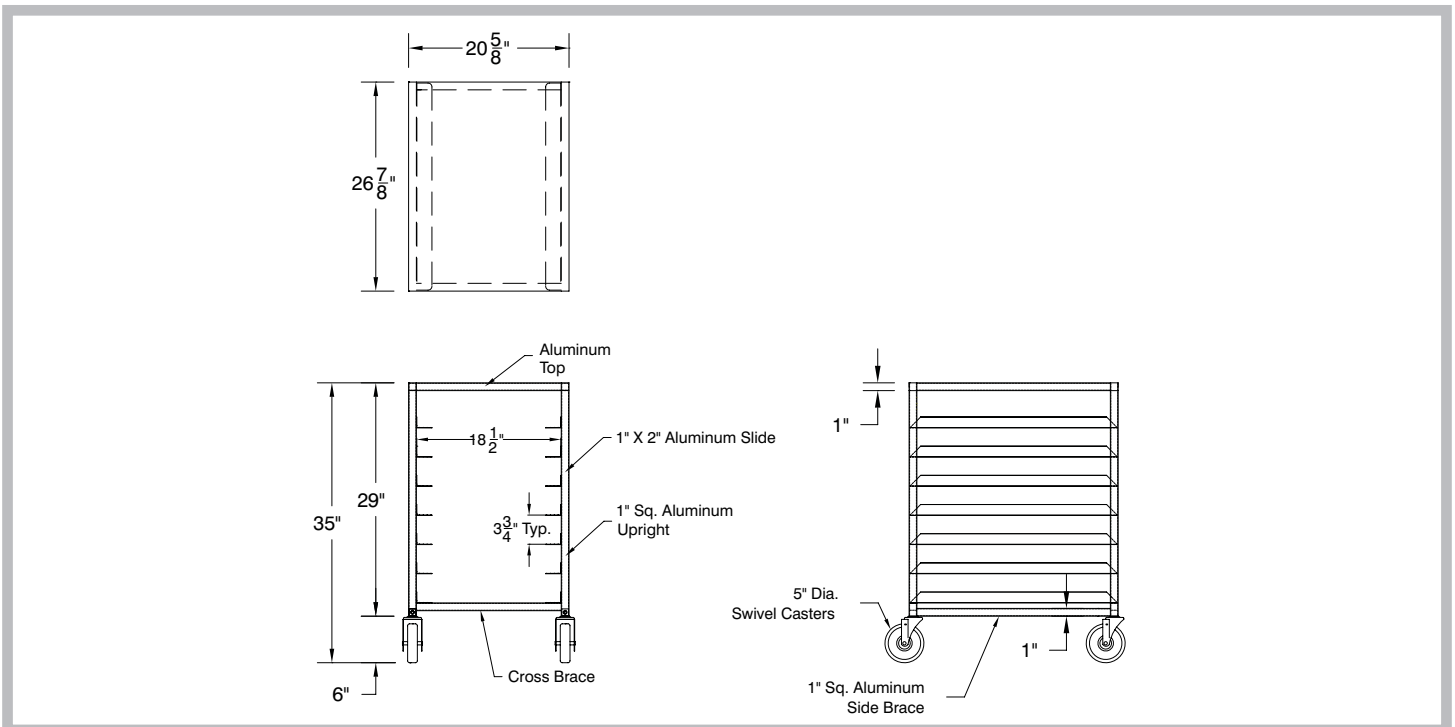
MODEL #	Pan Capacity	Shelf Spacing	Overall Size L x W x H	Wt.
PR7-4KT	7	3 7/8"*	26 7/8" x 20 5/8" x 35"	28 lbs.

*Top shelf spacing is 2-1/8"

DIMENSIONS and SPECIFICATIONS

TOL ± .500"

ALL DIMENSIONS ARE TYPICAL



Customer Service Available To Assist You 1-800-645-3166 8:30 am - 7:00 pm E.S.T.

For Orders & Customer Service:

Email: customer@advancetabco.com or Fax: 631-242-6900

For Smart Fabrication™ Quotes:

Email: smartfab@advancetabco.com or Fax: 631-586-2933