



K-49 6" GOOSENECK DECK MOUNT FAUCET FOR HOT WELLS

Conforms To NSF 61/9 Lead Free Requirements



FAUCET AERATOR CONFORM TO
ASTM.A112.18.1M • 1.8 GPM/6.8 LPM
THREAD: 55/64 - 27 FEMALE

Item #: _____ Qty #: _____

Model #: _____

Project #: _____

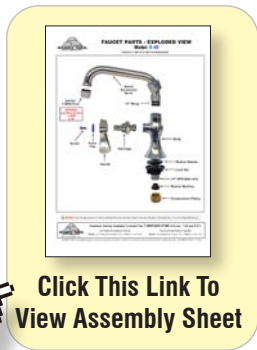
FEATURES:

Single hole mount. Receives single water supply.
Wedge style handle.
Blue colored Index.
1.8 GPM/6.8 LPM Aerator. 60 PSI.

MATERIAL:

Brass chrome plated body & spout.
Chrome plated handles.

NOTE: Requires water supply. Must add model **SU-15** if used for hot food tables.



Click This Link To
View Assembly Sheet

Options

Low Flow Aerator

.5 GPM

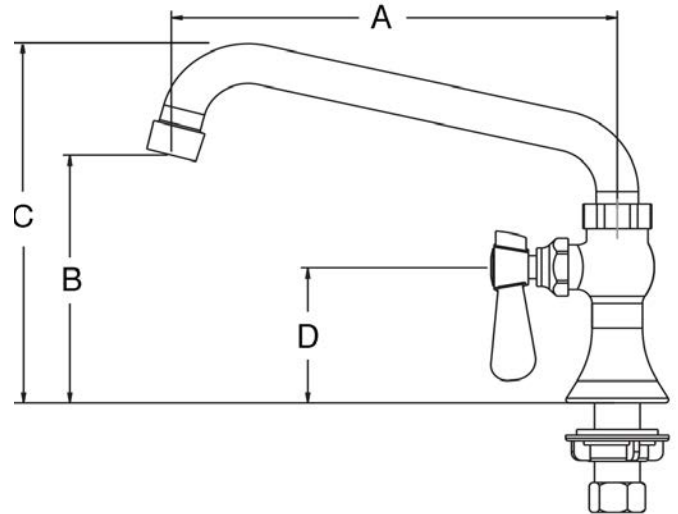
K-08



⚠ WARNING:

Faucet(s) on this page may expose you to chemicals, including lead, that are known to the State of California to cause cancer or birth defects or other reproductive harm. For more Info., visit www.p65warnings.ca.gov.

DIMENSIONS and SPECIFICATIONS



A	B	C	D
Length	Height		
6"	4 7/8"	6 1/16"	2 9/16"

***REQUIRES A 7/8" HOLE CUTOUT**



Customer Service Available To Assist You **1-800-645-3166** 8:30 am - 7:00 pm E.S.T.

For Orders & Customer Service:

Email: customer@advancetabco.com or Fax: 631-242-6900

For Smart Fabrication™ Quotes:

Email: smartfab@advancetabco.com or Fax: 631-586-2933