



# K-112 12" HEAVY DUTY SWING SPOUT SPLASH MOUNT FAUCET

Conforms To NSF 61/9 Lead Free Requirements



FAUCET AERATOR CONFORM TO  
ASTM.A112.18.1M  
2.2 GPM/8.3 LPM  
THREAD: 55/64 - 27 FEMALE

Item #: \_\_\_\_\_ Qty #: \_\_\_\_\_

Model #: \_\_\_\_\_

Project #: \_\_\_\_\_

### FEATURES:

- 12" swing spout.
- 8" O.C. water supply.
- Quarter-turn handles.
- Colored hot & cold Indexes.
- 2.2 GPM/8.3 LPM Aerator. 60 PSI.

### MATERIAL:

- Brass chrome plated body & spout.
- Chrome plated handles.



Click This Link To  
View Assembly Sheet

## DIMENSIONS and SPECIFICATIONS

### Options & Accessories

12" Replacement  
Swing Spout  
K-128SP



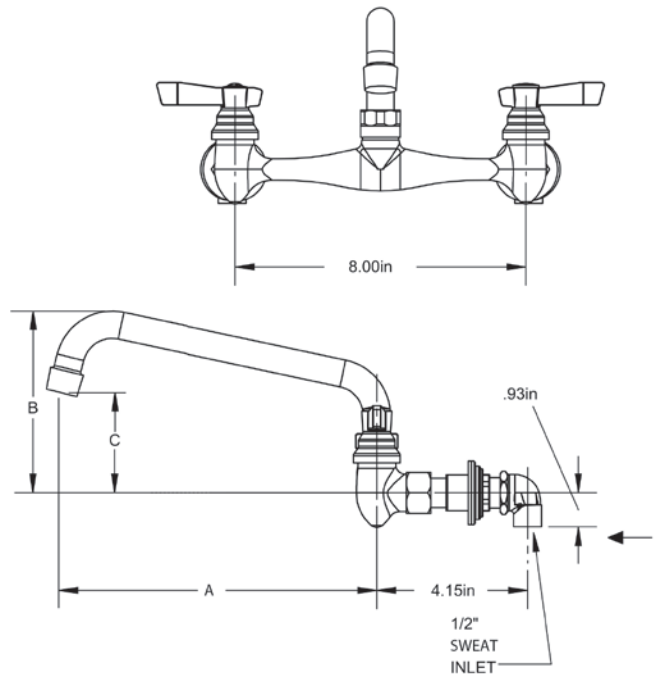
Replacement Cartridges  
K-07 (Set)



Faucet Mounting Kit  
K-06



Wrist Handles  
K-416-LU (Set)



A	B	C	On Center Dimensions
12.11"	5.71"	3.46"	8" O.C.

**WARNING:** Faucets on this page may expose you to chemicals, including lead, that are known to the State of California to cause cancer or birth defects or other reproductive harm. For more Info., visit [www.p65warnings.ca.gov](http://www.p65warnings.ca.gov).



Customer Service Available To Assist You **1-800-645-3166** 8:30 am - 7:00 pm E.S.T.

For Orders & Customer Service:

Email: [customer@advancetabco.com](mailto:customer@advancetabco.com) or Fax: 631-242-6900

For Smart Fabrication™ Quotes:

Email: [smartfab@advancetabco.com](mailto:smartfab@advancetabco.com) or Fax: 631-586-2933