



14 GAUGE STAINLESS STEEL

# TWO STATION A.D.A. WALL MOUNTED SINK WITH TUBULAR SUPPORTS WITH/WITHOUT MANUAL FAUCET



"-F" Series Sink Includes K-161-LU Gooseneck Faucets with Wrist Handles

Item #: \_\_\_\_\_ Qty #: \_\_\_\_\_  
 Model #: \_\_\_\_\_  
 Project #: \_\_\_\_\_



A.D.A. COMPLIANT



**FEATURES:**

- 8 1/2" high backsplash.
- 5" sink bowl depth.
- Two stainless steel "Z" brackets supplied each unit.
- One K-6 3 1/2" rear basket drain.
- Two tubular stainless steel support brackets that allow full clearance underneath.
- Manual Operated:** Faucets sold separately.
- "-F" Series** includes two K-161-LU 6" gooseneck faucets.

**CONSTRUCTION:**

- All TIG welded.
- Welded areas blended to match adjacent surfaces and to a satin finish.
- Die formed tubular wall brackets.

**MATERIAL:**

All 14 gauge type "304" stainless steel.  
 1 5/8" tubular "304" stainless steel wall brackets.  
 Stainless steel gussets.

**MECHANICAL:**

8" O.C. faucet holes punched at each station.

| Model #        | Length | # of Faucets Sink Accommodates | # of Faucets Included                           | Wt.     | Cu. Ft. |
|----------------|--------|--------------------------------|---|---------|---------|
| FS-WM-40-ADA   | 40"    | 2                              | 0<br><small>(Faucets Not Included)</small>      | 77 lbs. | 15      |
| FS-WM-40-ADA-F | 40"    | 2                              | 2<br><small>(K-161-LU Faucets Included)</small> | 81 lbs. | 15      |

[Click Here For Install Guide](#)



## MULTI-STATION ACCESSORIES & REPLACEMENT PARTS

| Model    | Description   | QTY:  |
|----------|---|-------|
| K-6      | 3 1/2" Drain (1 1/2" I.P.S.)  | _____ |
| K-13     | Stainless Steel Soap Dispenser (Wall Mount Only)  | _____ |
| K-06     | Splash Mount Faucet Mounting Kit  | _____ |
| K-101    | 8" Swing Spout Splash Mt. Faucet  | _____ |
| K-159    | Splash Mounted 3-1/2" Gooseneck Faucet (8" O.C.)  | _____ |
| K-160    | Splash Mounted 6" Swivel Spout Faucet (8" O.C.)   | _____ |
| K-161-LU | Splash Mounted 6" Gooseneck With Wrist Handles (8" O.C.)  | _____ |
| K-411    | Strainer Plate for 3-1/2" Drain   | _____ |
| K-1118   | Extra H.D. 8" Splash Mounted Faucet   | _____ |
| K-316-LU | Wrist Handles   | _____ |
| K-472    | Faucet Hole Revision<br><i>(Manual Faucet Operated Sinks Only)</i>  | _____ |
| K-449    | 5" Backsplash Modification (Used When Installing A Mirror Over An Ada Multi-Station Or Service Sink)<br>Mirror Supplied By Others | _____ |
| K-508    | Special Sizing Charge <i>(Larger Size Cut Down To Smaller Size)</i>   | _____ |
| TA-19    | Adjustable Stainless Steel Flanged Support Bracket  | _____ |



= Ships UPS

Standard Faucets conform to NSF 61 Standard 9 and compliance to AB 1953 Standards.

**WARNING:** Equipment that include faucets on this page may contain a chemical known to the State of California to cause cancer, birth defects or other reproductive harm.



Customer Service Available To Assist You 1-800-645-3166 8:30 am - 7:00 pm E.S.T.

For Orders & Customer Service:  
 Email: [customer@advancetabco.com](mailto:customer@advancetabco.com) or Fax: 631-242-6900

For Smart Fabrication™ Quotes:  
 Email: [smartfab@advancetabco.com](mailto:smartfab@advancetabco.com) or Fax: 631-586-2933

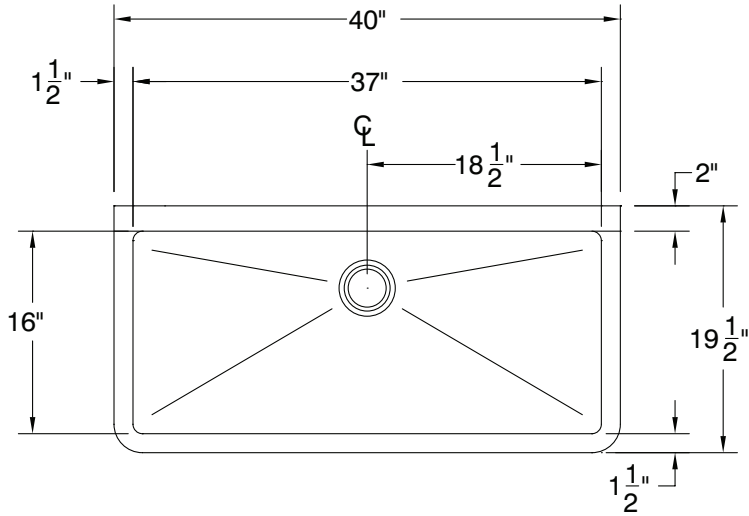
# DETAILS and SPECIFICATIONS

TOL ± .500"

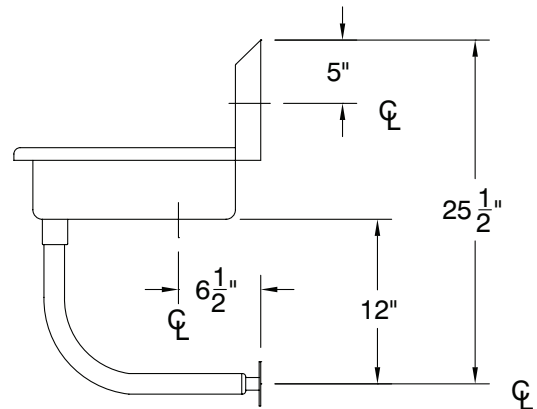
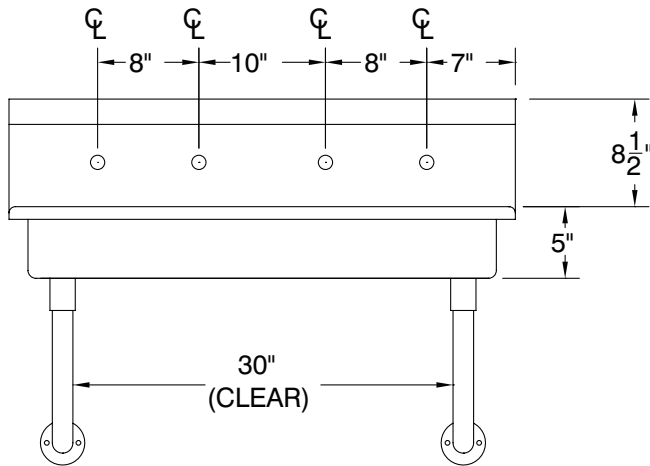
FITTINGS SUPPLIED AS SHOWN

ALL DIMENSIONS ARE TYPICAL

FS-WM-40-ADA



A.D.A.  
COMPLIANT



77 Lbs.

