



14 GAUGE STAINLESS STEEL

ONE STATION A.D.A. WALL MOUNTED SINK WITH TUBULAR SUPPORTS

ELECTRONIC OPERATED



K-175 Electronic Faucets Included On All "EF" Models

Item #: _____ Qty #: _____
 Model #: _____
 Project #: _____



A.D.A. COMPLIANT



FEATURES:

- 8 1/2" high backsplash.
- 5" sink bowl depth.
- Two stainless steel "Z" brackets supplied each unit.
- One K-6 3 1/2" rear basket drain.
- Two tubular stainless steel support brackets that allow full clearance underneath.
- Electronic Operated:** Includes one K-175 Electronic Faucet.
- Single hole provided.

CONSTRUCTION:

- All TIG welded.
- Welded areas blended to match adjacent surfaces and to a satin finish.
- Die formed tubular wall brackets.

MATERIAL:

- All 14 gauge type "304" stainless steel.
- 1 5/8" tubular "304" stainless steel wall brackets.
- Stainless steel gussets.

MECHANICAL:

- single hole punched.

| Model # | Length | # of Faucets | # of Wall Supports | Wt. | Cu. Ft. |
|---------------|--------|--------------|--------------------|---------|---------|
| FS-WM-1-EFADA | 40" | 1 | 2 | 77 lbs. | 15 |

[Click Here For Install Guide](#)



MULTI-STATION ACCESSORIES & REPLACEMENT PARTS

| Model | Description | QTY: |
|-------|---|-------|
| K-6 | 3 1/2" Drain (1 1/2" I.P.S.) | _____ |
| K-06 | Splash Mount Faucet Mounting Kit | _____ |
| K-13 | Stainless Steel Soap Dispenser (Wall Mount Only) | _____ |
| K-175 | Single Hole, Splash Mounted 3-1/2" Electronic Faucet | _____ |
| K-411 | Strainer Plate for 3-1/2" Drain | _____ |
| K-449 | 5" Backsplash Modification (Used When Installing A Mirror Over An Ada Multi-Station Or Service Sink) Mirror Supplied By Others | _____ |
| K-508 | Special Sizing Charge (Larger Size Cut Down To Smaller Size) | _____ |
| TA-19 | Adjustable Stainless Steel Flanged Support Bracket | _____ |



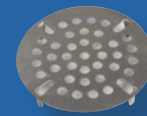
K-175



K-13



K-6



K-411



K-06

= Ships UPS

Standard Faucets conform to NSF 61 Standard 9 and compliance to AB 1953 Standards.

WARNING: Equipment that include faucets on this page may contain a chemical known to the State of California to cause cancer, birth defects or other reproductive harm.



Customer Service Available To Assist You 1-800-645-3166 8:30 am - 7:00 pm E.S.T.

For Orders & Customer Service:

Email: customer@advancetabco.com or Fax: 631-242-6900

For Smart Fabrication™ Quotes:

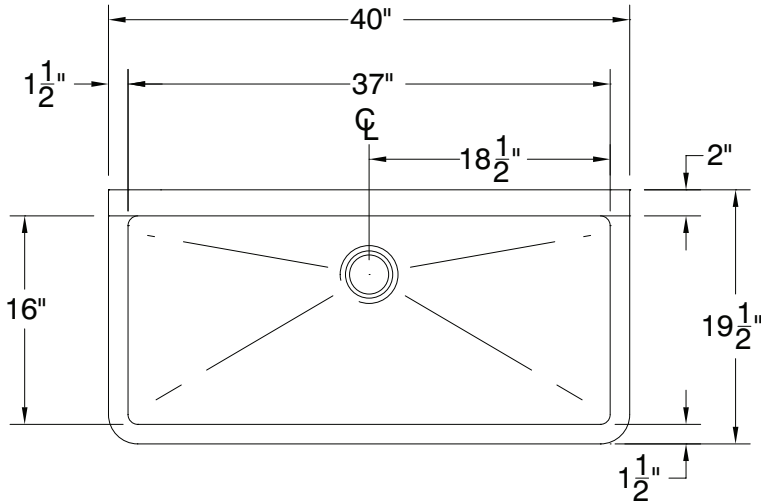
Email: smartfab@advancetabco.com or Fax: 631-586-2933

DETAILS and SPECIFICATIONS

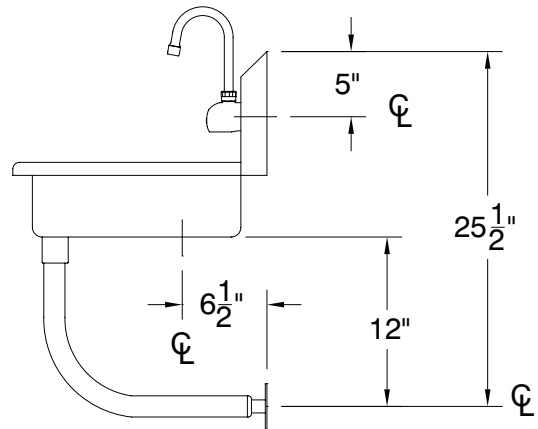
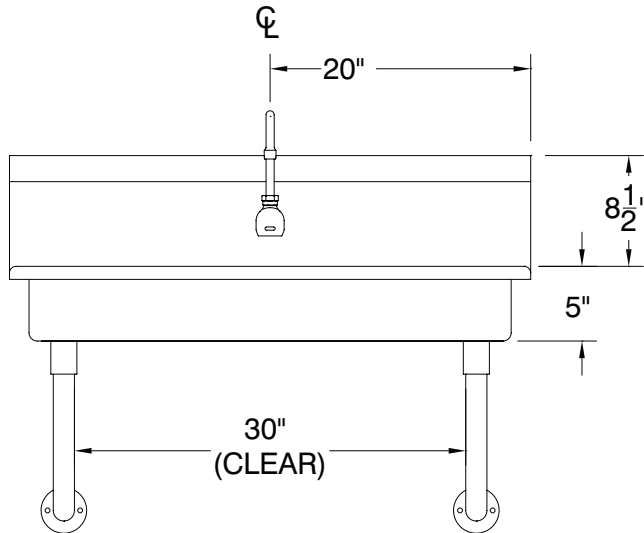
TOL ± .500"

ALL DIMENSIONS ARE TYPICAL

FS-WM-1-EFADA



A.D.A.
COMPLIANT



77 Lbs.



REF-JJ

325 Wireless Boulevard, Hauppauge, NY 11788

ADVANCE TABCO is constantly engaged in a program of improving our products. Therefore, we reserve the right to change specifications without prior notice.

© ADVANCE TABCO, JANUARY 2022