



14 GAUGE STAINLESS STEEL

ONE STATION FLOOR MOUNTED SINK WITH TUBULAR LEGS & CROSS BRACING

KNEE OPERATED



Knee Valves
Included On All
"KV" Models

| | |
|------------|--------|
| Item #: | Qty #: |
| Model #: | |
| Project #: | |



FEATURES:

- 8 1/2" high backsplash.
- 8" sink bowl depth.
- One stainless steel "Z" bracket.
- One **K-6** 3 1/2" rear basket drain.
- Tubular stainless steel legs with flanged feet.
- Side & rear adjustable cross-bracing with leg clamps.
- Knee Operated:** Includes one **7-PS-32** knee valve and one **K-121** spout.

CONSTRUCTION:

- All TIG welded.
- Welded areas blended to match adjacent surfaces and to a satin finish.

MATERIAL:

All 14 gauge type "304" stainless steel.
1 5/8" tubular "304" stainless steel legs & cross-bracing.
Stainless steel gussets.

MECHANICAL:

Single faucet hole punched.

| Model # | Length | # of Spouts | Wt. | Cu. Ft. |
|--------------|--------|-------------|---------|---------|
| FS-FM-2721KV | 27" | 1 | 87 lbs. | 13 |

[Click Here For Install Guide](#)



MULTI-STATION ACCESSORIES & REPLACEMENT PARTS

| Model | Description | QTY: |
|----------------|--|-------|
| 7-PS-32 | Knee Valve Assembly | _____ |
| K-6 | 3 1/2" Drain (1 1/2" I.P.S.) | _____ |
| K-06 | Splash Mount Faucet Mounting Kit | _____ |
| K-13 | Stainless Steel Soap Dispenser (Wall Mount Only) | _____ |
| K-121 | Single Hole, Splash Mounted 3-1/2" Gooseneck Spout | _____ |
| K-410 | Strainer Plate for 3-1/2" Drain | _____ |
| K-508 | Special Sizing Charge (Larger Size Cut Down To Smaller Size) | _____ |
| TA-19 | Adjustable Stainless Steel Flanged Bullet Foot | _____ |



= Ships UPS

Standard Faucets conform to NSF 61 Standard 9 and compliance to AB 1953 Standards.

WARNING: Equipment that include faucets on this page may contain a chemical known to the State of California to cause cancer, birth defects or other reproductive harm.



Customer Service Available To Assist You **1-800-645-3166** 8:30 am - 7:00 pm E.S.T.

For Orders & Customer Service:

Email: customer@advancetabco.com or Fax: 631-242-6900

For Smart Fabrication™ Quotes:

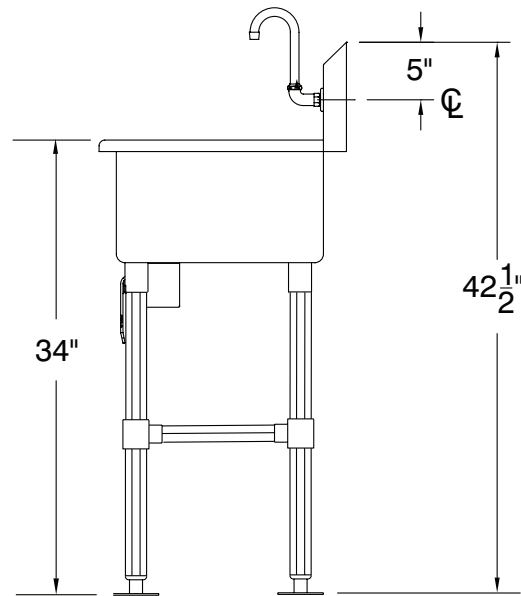
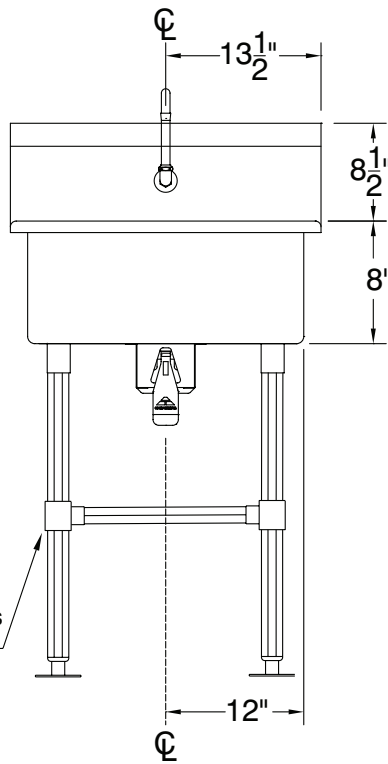
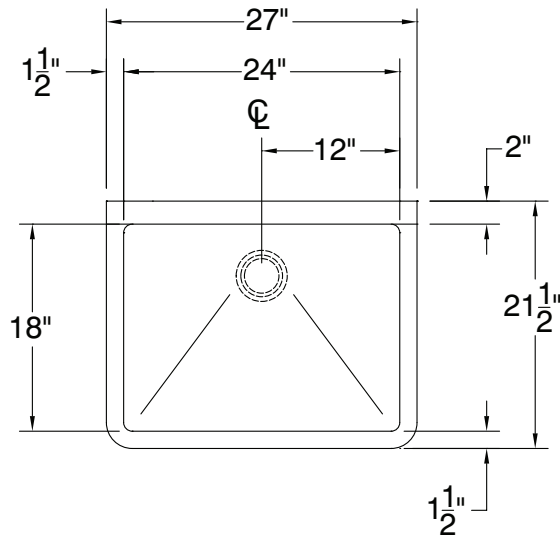
Email: smartfab@advancetabco.com or Fax: 631-586-2933

DETAILS and SPECIFICATIONS

TOL ± .500"

ALL DIMENSIONS ARE TYPICAL

FS-FM-2721KV



Stainless Steel Rear & Sides
Adjustable Cross-Bracing

77 Lbs.

