



16 GAUGE STAINLESS STEEL

# TWO STATION FLOOR MOUNTED SINK WITH TUBULAR LEGS & CROSS BRACING

## KNEE OPERATED



Knee Valves Included On All "KV" Models

Item #: \_\_\_\_\_ Qty #: \_\_\_\_\_  
 Model #: \_\_\_\_\_  
 Project #: \_\_\_\_\_



### FEATURES:

- 8 1/2" high backsplash.
- 8" sink bowl depth.
- Two stainless steel "Z" brackets.
- One K-6 3 1/2" rear basket drain.
- Tubular stainless steel legs with flanged feet.
- Side & rear adjustable cross-bracing with leg clamps.
- Knee Operated:** Includes two 7-PS-32 knee valves and two K-121 spouts.

### CONSTRUCTION:

All TIG welded.  
 Welded areas blended to match adjacent surfaces and to a satin finish.

### MATERIAL:

All 16 gauge type "304" stainless steel.  
 1 5/8" tubular "304" stainless steel legs & cross-bracing.  
 Stainless steel gussets.

### MECHANICAL:

Single faucet hole punch at each station.

| Model #    | Length | # of Faucets | # of Knee Pedals | Wt.     | Cu. Ft. |
|------------|--------|--------------|------------------|---------|---------|
| FC-FM-40KV | 40"    | 2            | 2                | 92 lbs. | 15      |

[Click Here For Install Guide](#)



## MULTI-STATION ACCESSORIES & REPLACEMENT PARTS

| Model   | Description  | QTY:  |
|---------|--|-------|
| 7-PS-32 | Knee Valve Assembly  | _____ |
| K-6     | 3 1/2" Drain (1 1/2" I.P.S.)                                 | _____ |
| K-06    | Splash Mount Faucet Mounting Kit                             | _____ |
| K-13    | Stainless Steel Soap Dispenser (Wall Mount Only)             | _____ |
| K-121   | Single Hole, Splash Mounted 3-1/2" Gooseneck Spout           | _____ |
| K-410   | Strainer Plate for 3-1/2" Drain                              | _____ |
| K-508   | Special Sizing Charge (Larger Size Cut Down To Smaller Size) | _____ |
| TA-19   | Adjustable Stainless Steel Flanged Bullet Foot               | _____ |



K-121



7-PS-32



K-13



K-410



TA-19

K-06

= Ships UPS

Standard Faucets conform to NSF 61 Standard 9 and compliance to AB 1953 Standards.

**WARNING:** Equipment that include faucets on this page may contain a chemical known to the State of California to cause cancer, birth defects or other reproductive harm.



Customer Service Available To Assist You 1-800-645-3166 8:30 am - 8:00 pm E.S.T.

For Orders & Customer Service:

Email: [customer@advancetabco.com](mailto:customer@advancetabco.com) or Fax: 631-242-6900

For Smart Fabrication™ Quotes:

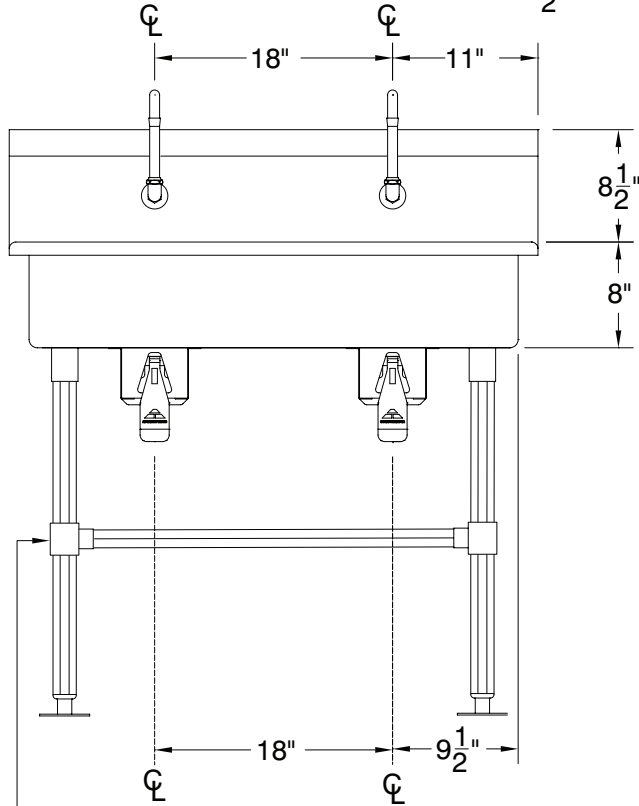
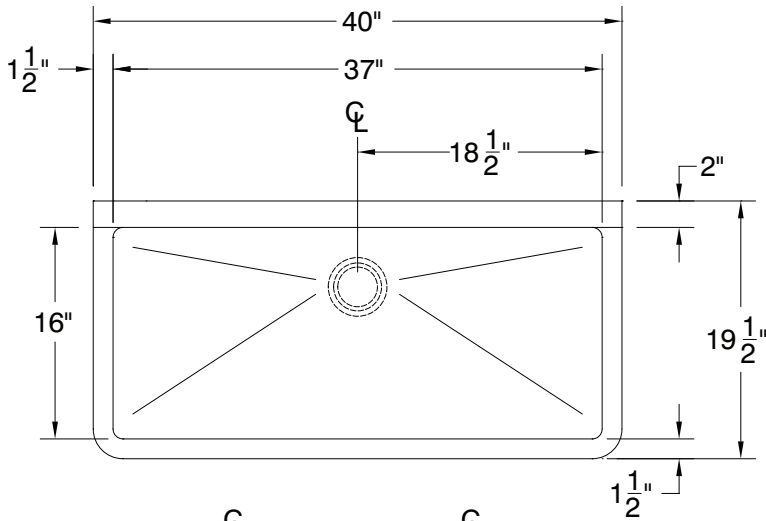
Email: [smartfab@advancetabco.com](mailto:smartfab@advancetabco.com) or Fax: 631-586-2933

# DETAILS and SPECIFICATIONS

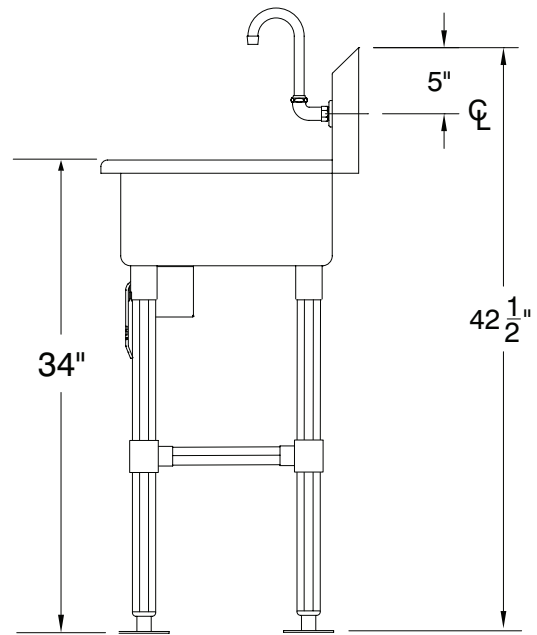
TOL ± .500"

ALL DIMENSIONS ARE TYPICAL

## FC-FM-40KV



Stainless Steel Rear & Sides  
Adjustable Cross-Bracing



92 Lbs.

