



16 GAUGE STAINLESS STEEL

ONE STATION A.D.A. FLOOR MOUNTED SINK WITH TUBULAR LEGS & CROSS BRACING WITH/WITHOUT MANUAL FAUCETS



Manual Operated Shown
(Faucet Not Included)



"-F" Series Sink Includes
K-161-LU Gooseneck Faucet
with Wrist Handles

Item #: _____ Qty #: _____

Model #: _____

Project #: _____



A.D.A.
COMPLIANT



FEATURES:

- 8 1/2" high backsplash.
- 5" sink bowl depth.
- Two stainless steel "Z" brackets.
- One K-6 3 1/2" rear basket drain.
- Tubular stainless steel legs with flanged feet.
- Side & rear adjustable cross-bracing with leg clamps.
- Manual Operated:** Faucets sold separately.
- "-F" Series** includes one K-161-LU 6" gooseneck faucet with wrist handles.

CONSTRUCTION:

- All TIG welded.
- Welded areas blended to match adjacent surfaces and to a satin finish.

MATERIAL:

- All 16 gauge type "304" stainless steel.
- 1 5/8" tubular "304" stainless steel wall brackets.
- Stainless steel gussets.

MECHANICAL:

- 8" O.C. faucet holes punched at each station.

Model #	Length	# of Faucets Sink		Wt.	Cu. Ft.
		Accommodates	# of Faucets Included		
FC-FM-1-ADA	40"	1	0	87 lbs.	15
			(Faucets Not Included)		
FC-FM-1-ADA-F	40"	1	1	89 lbs.	15
			(K-161-LU Faucet Included)		

[Click Here For Install Guide](#)



MULTI-STATION ACCESSORIES & REPLACEMENT PARTS

Model	Description	QTY:
K-6	3 1/2" Drain (1 1/2" I.P.S.)	_____
K-13	Stainless Steel Soap Dispenser (Wall Mount Only)	_____
K-06	Splash Mount Faucet Mounting Kit	_____
K-101	8" Swing Spout Splash Mt. Faucet	_____
K-159	Splash Mounted 3-1/2" Gooseneck Faucet (8" O.C.)	_____
K-160	Splash Mounted 6" Swivel Spout Faucet (8" O.C.)	_____
K-161-LU	Splash Mounted 6" Gooseneck With Wrist Handles (8" O.C.)	_____
K-411	Strainer Plate for 3-1/2" Drain	_____
K-1118	Extra H.D. 8" Splash Mounted Faucet	_____
K-316-LU	Wrist Handles	_____
K-472	Faucet Hole Revision (Manual Faucet Operated Sinks Only)	_____
K-449	5" Backsplash Modification (Used When Installing A Mirror Over An Ada Multi-Station Or Service Sink) Mirror Supplied By Others	_____
K-508	Special Sizing Charge (Larger Size Cut Down To Smaller Size)	_____
TA-19	Adjustable Stainless Steel Flanged Bullet Foot	_____



K-159



K-160



K-161-LU



K-13



K-06

= Ships UPS

Standard Faucets conform to NSF 61 Standard 9 and compliance to AB 1953 Standards.



Customer Service Available To Assist You 1-800-645-3166 8:30 am - 7:00 pm E.S.T.

For Orders & Customer Service:

Email: customer@advancetabco.com or Fax: 631-242-6900

For Smart Fabrication™ Quotes:

Email: smartfab@advancetabco.com or Fax: 631-586-2933

REF-JJ

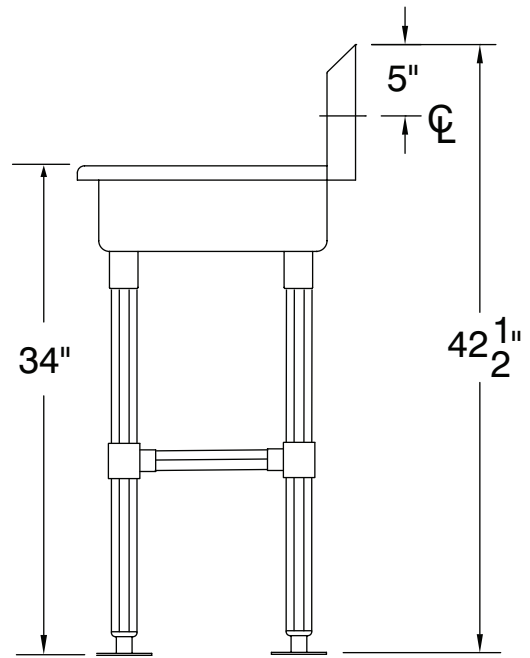
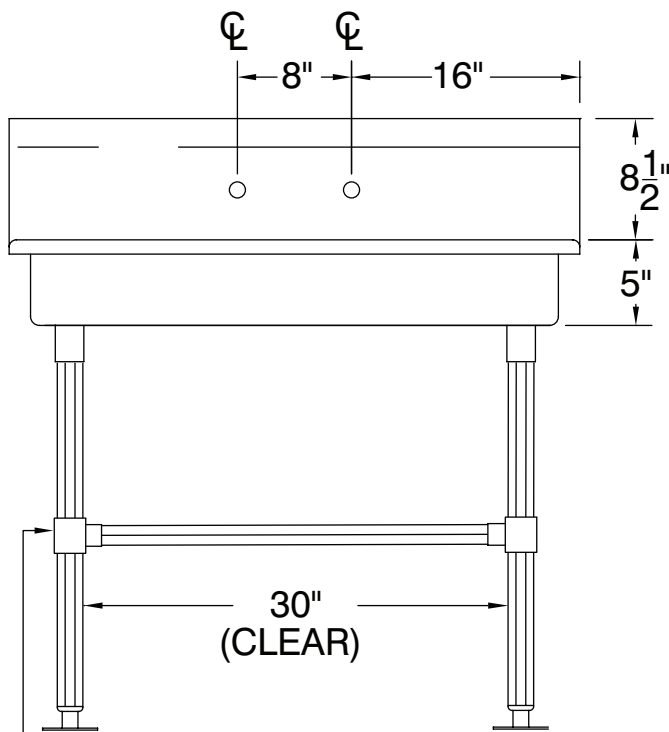
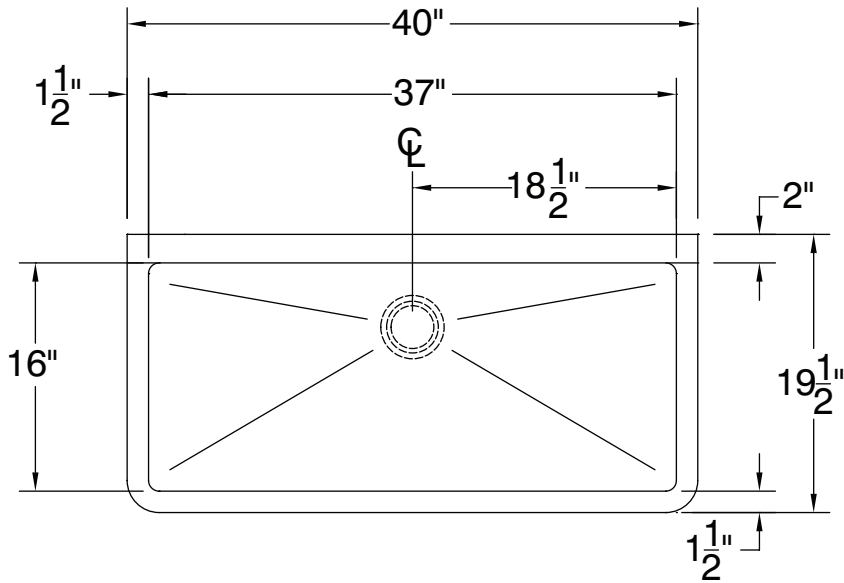
DETAILS and SPECIFICATIONS

TOL ± .500"

FITTINGS SUPPLIED AS SHOWN

ALL DIMENSIONS ARE TYPICAL

FC-FM-1-ADA



Stainless Steel Rear & Sides
Adjustable Cross-Bracing

87 Lbs.

