



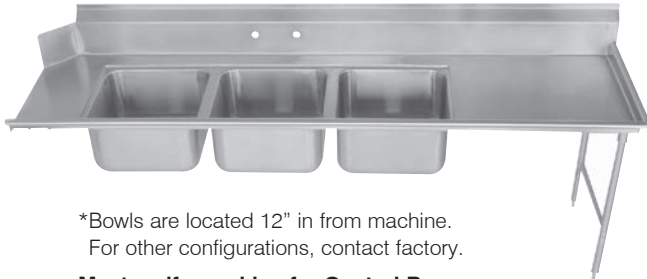
STAINLESS STEEL  
**DISHTABLES**

**WITH 3 COMPARTMENT DEEP DRAWN BOWLS**



*Tile Edge Design*

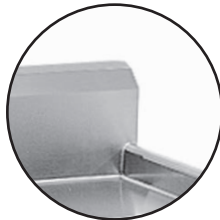
DTC93-2020-9R Shown



\*Bowls are located 12" in from machine.  
For other configurations, contact factory.

**Must verify machine for Control Box or Drive Unit Interference.**

**10-1/2" EXTRA LARGE  
Bold Looking Backsplash  
with 2" return and tile edge**



**Deep Drawn Sinks**

Seamless construction  
for unsurpassed strength  
and integrity.



**Item #:** \_\_\_\_\_ **Qty #:** \_\_\_\_\_  
**Model #:** \_\_\_\_\_  
**Project #:** \_\_\_\_\_

**FEATURES:**

- 3 Compartment Sinks.
- Tile edge for ease of installation.
- One piece **Deep Drawn** sink bowls with large liberal 3" radius.
- Sink bowls positioned to optimize maximum work surface area.

**CONSTRUCTION:**

- All TIG welded.
- 16 Gauge Stainless Steel (14 Gauge Upgrade Available).
- Stainless Steel Legs and Cross Bracing.
- Stainless Steel Bullet Feet.
- Gussets welded to Stainless Steel Channels.
- Welded areas blended to match adjacent surfaces and to a satin finish.

**MECHANICAL:**

- One set of faucet holes in splash punched on 8" centers. (Faucet not included)
- Waste drains are 1 1/2" IPS and are included.

Model #	Length L	Bowl Size	Drbrd. Size D	Wt.	Cu.
DTC93-1620-6LorR	72"	16" x 20" x 12"	4"	200	42
DTC93-1620-7LorR	84"	16" x 20" x 12"	16"	220	52
DTC93-1620-8LorR	96"	16" x 20" x 12"	28"	240	59
DTC93-1620-9LorR	108"	16" x 20" x 12"	40"	275	66
DTC93-2020-8LorR	96"	20" x 20" x 12"	16"	260	59
DTC93-2020-9LorR	108"	20" x 20" x 12"	28"	285	66
DTC93-2020-10LorR*	120"	20" x 20" x 12"	40"	310	72

\* 120" Dishtables have extra set of legs.

Accessories	Model #
18" Stainless Steel Undershelf	<b>DTA-SS-18</b>
24" Stainless Steel Undershelf	<b>DTA-SS-24</b>
14 Gauge Stainless Steel Upgrade	<b>DTA-49</b>
16" x 20" Prerinse Basket with Welded Slide Bar	<b>DTA-69</b>
20" x 20" Prerinse Basket with Welded Slide Bar	<b>DTA-62</b>
16" X 20" Prerinse Slide Bar	<b>DTA-65</b>
20" X 20" Prerinse Slide Bar	<b>DTA-63</b>
Faucet Hole Modification	<b>K-472</b>

Overhead Rack Shelves and Faucets Available.



**Customer Service Available To Assist You 1-800-645-3166 8:30 am - 7:00 pm E.S.T.**

Email Orders To: customer@advancetabco.com. For Smart Fabrication™ Quotes, Email To: smartfab@advancetabco.com or Fax To: 631-586-2933

**NEW YORK**  
Fax: (631) 242-6900

**GEORGIA**  
Fax: (770) 775-5625

**TEXAS**  
Fax: (972) 932-4795

**NEVADA**  
Fax: (775) 972-1578

# DIMENSIONS and SPECIFICATIONS

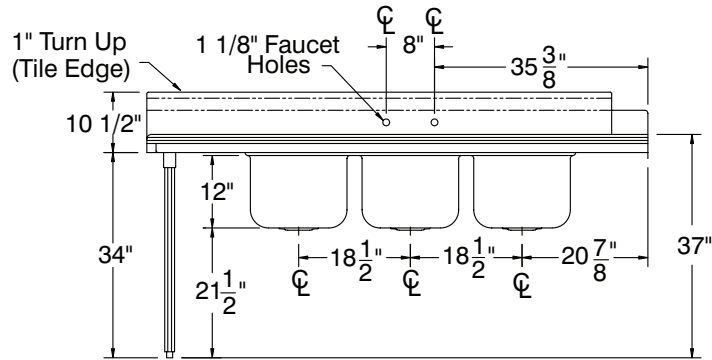
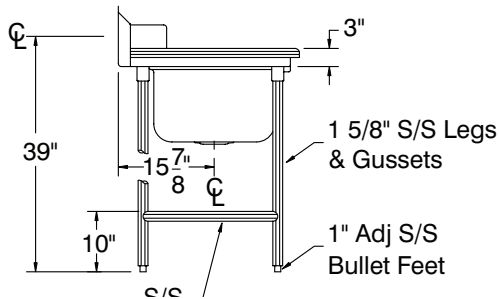
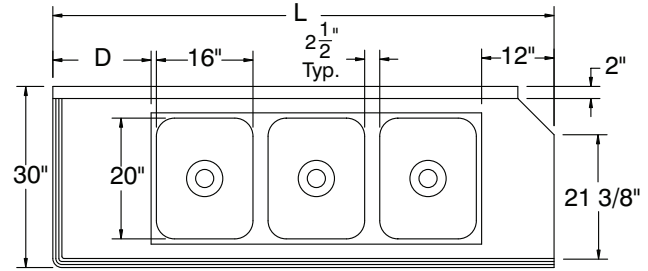
ALL DIMENSIONS ARE TYPICAL

TOL ± .500"

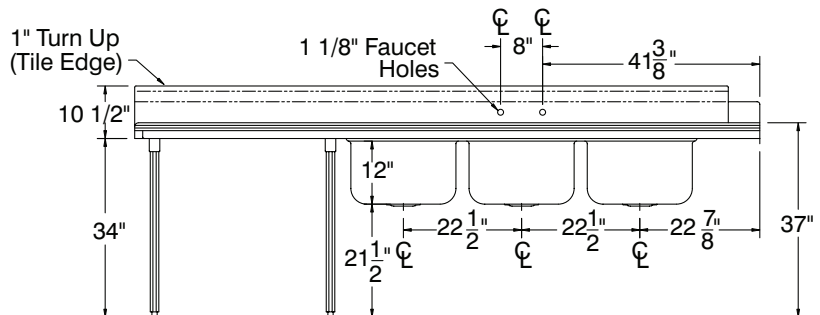
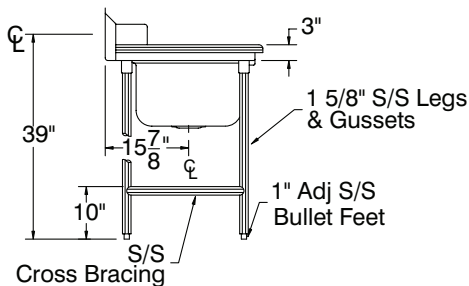
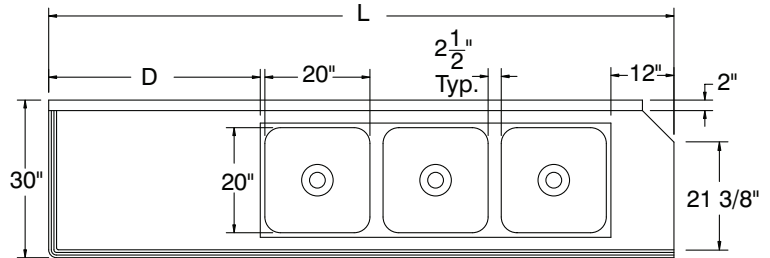
## SEE DISH MACHINE COMPATIBILITY CHART TO ENSURE PROPER FIT

Dish Machine Compatibility Chart can be found on our website at [www.advancetabco.com](http://www.advancetabco.com) under "Product Support"

### DTC93-1620 Series



### DTC93-2020 Series



120" Units supplied with extra leg (Shown)



ADVANCE TABCO is constantly engaged in a program of improving our products. Therefore, we reserve the right to change specifications without prior notice.