

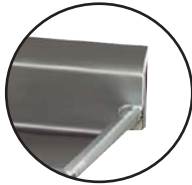


STAINLESS STEEL
DISHTABLE
WITH 3 COMPARTMENT SINKS
& 7 1/2" BACKSPLASH



DTC-3-90R-X shown

7-1/2" Backsplash
 with Turndown and
 includes Wall Clips



Item #: _____ Qty #: _____
 Model #: _____
 Project #: _____



FEATURES:

- 3 sink bowls.
- 7-1/2" backsplash.
- Welded Side-Bracing.
- Adjustable Front Cross Bracing.
- One set of 8" O.C. Faucet Holes.
- Three **K-6** Basket Drains (1-1/2" I.P.S).
- Two Wall Clips.
- Includes K-4 lever Drain Brackets (For use with optional lever drains)

CONSTRUCTION:

- All TIG welded.
- 16 Gauge Stainless Steel.
- Stainless Steel Legs.
- Stainless Steel Bullet Feet.
- Gussets welded to Stainless Steel Channels.
- Welded areas blended to match adjacent surfaces and to a satin finish.

MECHANICAL:

- Faucet holes in splash punched on 8" centers. (Faucet not included)
- Waste drains are 1-1/2" IPS and are included.

| Model # | Length (L) | Width | Bowl Size (A x B) | Bowl Depth | C | D | Approx. Weight | Approx. Cu. |
|------------------|------------|-------|-------------------|------------|-----|-----|----------------|-------------|
| DTC-3-83R or L-X | 83" | 30" | 16" x 24" | 14" | 19" | 39" | 200 lbs. | 61 |
| DTC-3-90R-X* | 90" | 30" | 18" x 24" | 14" | 20" | 43" | 250 lbs. | 61 |

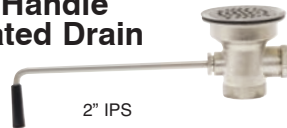
* left side table not offered in Special Value series. Consider DTC-3-1620-84R as an alternate item

DISHTABLE ACCESSORIES

**Pre-Rinse
 Faucet**
 DTA-53



**Twist Handle
 Operated Drain**
 K-5



Customer Service Available To Assist You **1-800-645-3166** 8:30 am - 7:00 pm E.S.T.

For Orders & Customer Service:
 Email: customer@advancetabco.com or Fax: 631-242-6900

For Smart Fabrication™ Quotes:
 Email: smartfab@advancetabco.com or Fax: 631-586-2933

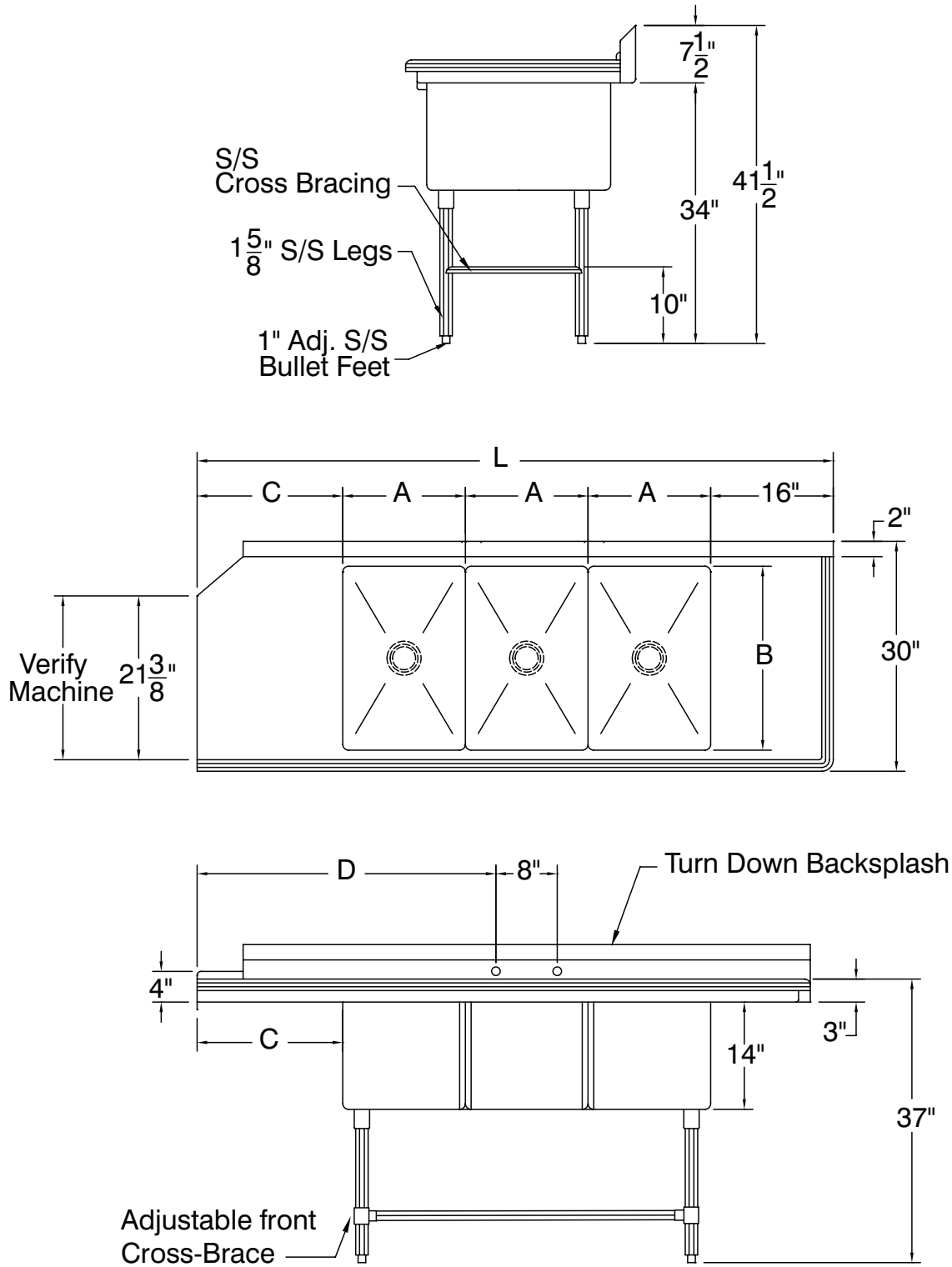
DIMENSIONS and SPECIFICATIONS

ALL DIMENSIONS ARE TYPICAL

TOL ± .500"

SEE DISH MACHINE COMPATIBILITY CHART TO ENSURE PROPER FIT

Dish Machine Compatibility Chart can be found on our website at www.advancetabco.com under "Product Support"



ADVANCE TABCO is constantly engaged in a program of improving our products. Therefore, we reserve the right to change specifications without prior notice.