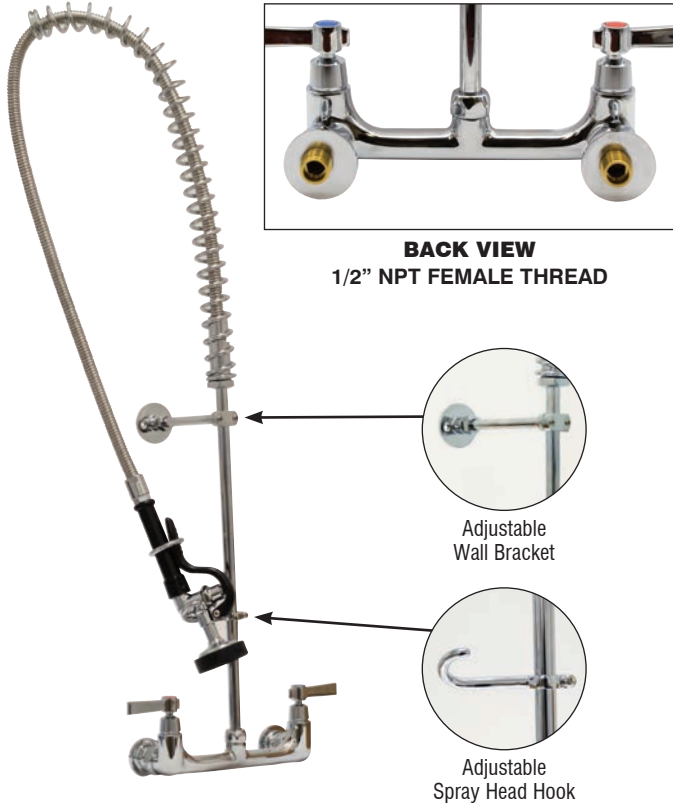




# DTA-53 SPLASH MOUNT PRERINSE FAUCET

Conforms To NSF 61/9 Lead Free Requirements

Item #: \_\_\_\_\_ Qty #: \_\_\_\_\_  
 Model #: \_\_\_\_\_  
 Project #: \_\_\_\_\_



### FEATURES:

- 8" O.C. water supply.
- Quarter-turn wedge style handles.
- Colored hot & cold indexes.
- Spray head with continuous water flow ring.
- Heavy duty hose spring.
- Wall mount bracket.
- Adjustable spray head hook.
- Flow Rate: 1.6 GPM @ 60 PSI

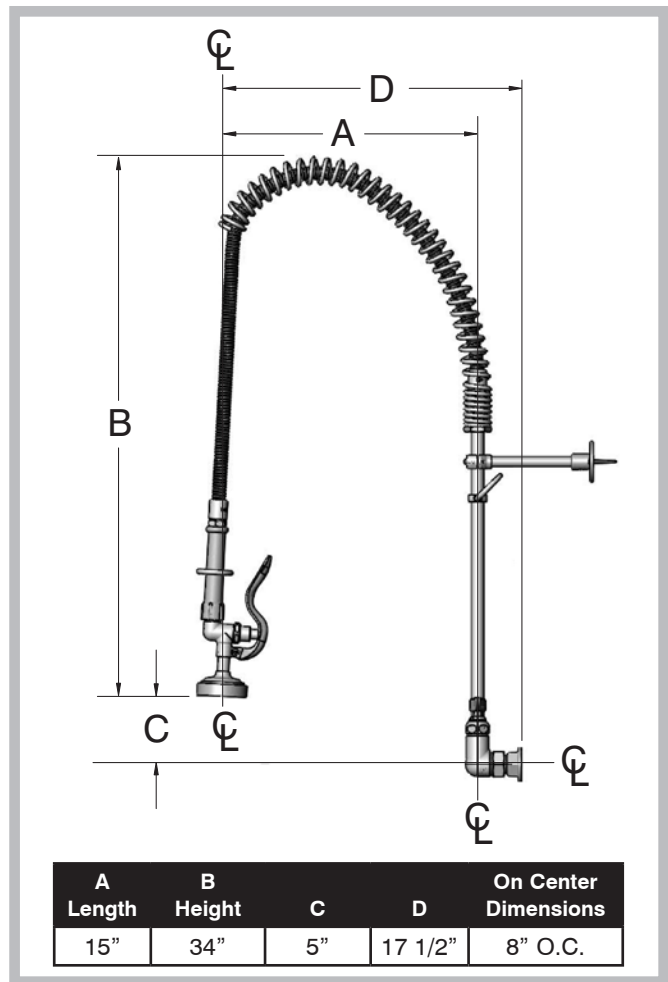
### MATERIAL:

- Brass chrome plated body.
- Chrome plated handles.



**Click This Link To View Assembly Sheet**

## DIMENSIONS and SPECIFICATIONS



### Options & Accessories

#### Replacement Hose

Handle Not Included.

**K-113**



#### Replacement Spray Head and Handle

1.15 GPM

**K-114**



#### 12" Add-A-Faucet For DTA-53 Prerinse Faucet

**K-117**



### **WARNING:**

Faucet(s) on this page may expose you to chemicals, including lead, that are known to the State of California to cause cancer or birth defects or other reproductive harm. For more Info., visit [www.p65warnings.ca.gov](http://www.p65warnings.ca.gov).



**Customer Service Available To Assist You 1-800-645-3166 8:30 am - 7:00 pm E.S.T.**

For Orders & Customer Service:

Email: [customer@advancetabco.com](mailto:customer@advancetabco.com) or Fax: 631-242-6900

For Smart Fabrication™ Quotes:

Email: [smartfab@advancetabco.com](mailto:smartfab@advancetabco.com) or Fax: 631-586-2933