



16 GAUGE 300 SERIES STAINLESS STEEL

HAND SINK SIDE SPLASHES WELDED & BOLT-ON

FEATURES:

Shields surround work area from splashes and prevents cross-contamination.

Available as 7-3/4" and 12" high.

Welded Side Splashes

Available as 7-3/4", 12" & 24" high.

Factory installed only.

Bolt-on Single Panel Side Splash

Available as 7-3/4" and 12" high.

Includes holes only. Hardware not included.

CONSTRUCTION:

Welded Side Splashes (factory installed) are spot welded and polished to a satin finish.

Bolt-on Side Splashes (field installation) require drilling holes in hand sink to match holes in side splash. Mounting hardware is not included.



24" Side Splashes With Included Back Panel Shown
Factory Installed Only



Single Sided
7-3/4" Side Splash Shown
Factory Installed Only



Double Sided Bolt-On
7-3/4" Side Splashes Shown
Hardware Not Included

Item #: _____ Qty #: _____
Model #: _____
Project #: _____

WELDED

One Side Splash

Two Side Splashes

	Model #	Approx. Weight	Approx. Cu. Ft.	Model #	Approx. Weight	Approx. Cu. Ft.	O.A. Splash Size W x H	Description
7-3/4" High Welded Side Splashes	7-PS-16	5 lbs.	1	7-PS-17	12 lbs.	1	15-1/4" x 9-3/4"	For 10" x 14" Bowls w/ Splash Mt. Faucets
	7-PS-16A	5 lbs.	1	7-PS-17A	12 lbs.	1	16-1/8" x 9-3/4"	For 9" x 9" Bowls
	7-PS-16B	5 lbs.	1	7-PS-17B	13 lbs.	1	17-1/8" x 9-3/4"	For 10" x 14" Bowls w/ Deck Mt. Faucets
	7-PS-16C	7 lbs.	1	7-PS-17C	15 lbs.	1	21-3/4" x 9-3/4"	For 16" x 20" Bowls
	7-PS-16D	8 lbs.	1	7-PS-17D	16 lbs.	1	23-3/8" x 9-3/4"	For Handicapped Hand Sinks
	7-PS-16E	6 lbs.	1	7-PS-17E	14 lbs.	1	19-5/8" x 9-3/4"	For 14" (F/B) x 16" Bowls
	7-PS-16F	6 lbs.	1	7-PS-17F	14 lbs.	1	21-1/8" x 9-3/4"	For 16" (F/B) x 14" Bowls
12" High Welded Side Splashes	7-PS-11	6 lbs.	1	7-PS-15	14 lbs.	1	15-1/4" x 14"	For 10" x 14" Bowls w/ Splash Mt. Faucets
	7-PS-11A	6 lbs.	1	7-PS-15A	14 lbs.	1	16-1/8" x 14"	For 9" x 9" Bowls
	7-PS-11B	6 lbs.	1	7-PS-15B	14 lbs.	1	17-1/8" x 14"	For 10" x 14" Bowls w/ Deck Mt. Faucets
	7-PS-11C	8 lbs.	1	7-PS-15C	18 lbs.	1	21-3/4" x 14"	For 16" x 20" Bowls
	7-PS-11D	9 lbs.	1	7-PS-15D	20 lbs.	1	23-3/8" x 14"	For Handicapped Hand Sinks
	7-PS-11E	7 lbs.	1	7-PS-15E	16 lbs.	1	19-5/8" x 14"	For 14" (F/B) x 16" Bowls
	7-PS-11F	8 lbs.	1	7-PS-15F	18 lbs.	1	21-1/8" x 14"	For 16" (F/B) x 14" Bowls
24" High Welded Side Splashes	NOTE: 24" High Side Splashes Include A Rear Panel That Matches The Height Of The Side Panels. (Only Available As Two Side Design, Single Side Not Offered)			7-PS-28	28 lbs.	1	15-1/4" x 26"	For 10" x 14" Bowls w/ Splash Mt. Faucets
				7-PS-28A	28 lbs.	1	16-1/8" x 26"	For 9" x 9" Bowls
				7-PS-28B	28 lbs.	1	17-1/8" x 26"	For 10" x 14" Bowls w/ Deck Mt. Faucets
				7-PS-28C	36 lbs.	1	21-3/4" x 26"	For 16" x 20" Bowls
				7-PS-28D	40 lbs.	1	23-3/8" x 26"	For Handicapped Hand Sinks
				7-PS-28E	32 lbs.	1	19-5/8" x 26"	For 14" (F/B) x 16" Bowls
				7-PS-28F	36 lbs.	1	21-1/8" x 26"	For 16" (F/B) x 14" Bowls

BOLT-ON

Hardware Not Included

7-3/4" High

12" High

Model #	O.A. Splash Size W x H	Approx. Weight	Approx. Cu. Ft.	Model #	O.A. Splash Size W x H	Approx. Weight	Approx. Cu. Ft.	Description
7-PS-27	15-1/4" x 10"	5 lbs.	1	7-PS-13	15-1/4" x 14"	6 lbs.	1	For 10" x 14" Bowls w/ Splash Mt. Faucets
7-PS-27A	16-1/8" x 10"	6 lbs.	1	7-PS-13A	16-1/8" x 14"	7 lbs.	1	For 9" x 9" Bowls
7-PS-27B	17-1/8" x 10"	6 lbs.	1	7-PS-13B	17-1/8" x 14"	7 lbs.	1	For 10" x 14" Bowls w/ Deck Mt. Faucets
7-PS-27C	21-3/4" x 10"	6 lbs.	1	7-PS-13C	21-3/4" x 14"	7 lbs.	1	For 16" x 20" Bowls
7-PS-27D	23-3/8" x 10"	7 lbs.	1	7-PS-13D	23-3/8" x 14"	8 lbs.	1	For Handicapped Hand Sinks
7-PS-27E	19-5/8" x 10"	7 lbs.	1	7-PS-13E	19-5/8" x 14"	8 lbs.	1	For 14" (F/B) x 16" Bowls
7-PS-27F	21-1/8" x 10"	7 lbs.	1	7-PS-13F	21-1/8" x 14"	8 lbs.	1	For 16" (F/B) x 14" Bowls



Customer Service Available To Assist You **1-800-645-3166** 8:30 am - 7:00 pm E.S.T.

For Orders & Customer Service:

Email: customer@advancetabco.com or Fax: 631-242-6900

For Smart Fabrication™ Quotes:

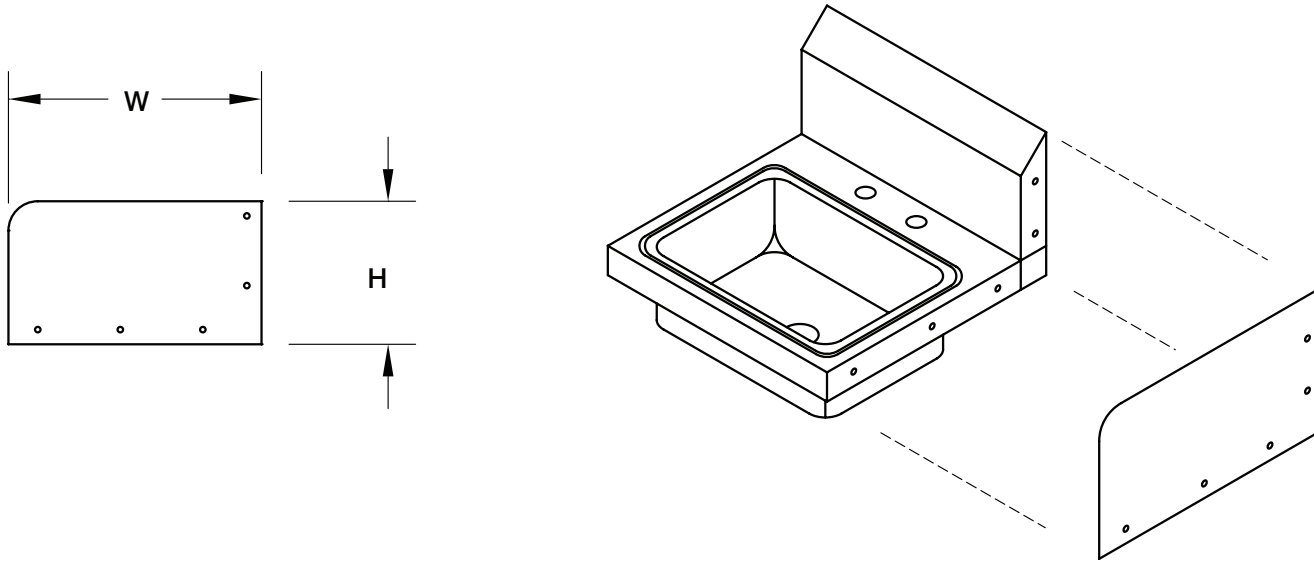
Email: smartfab@advancetabco.com or Fax: 631-586-2933

DIMENSIONS and SPECIFICATIONS

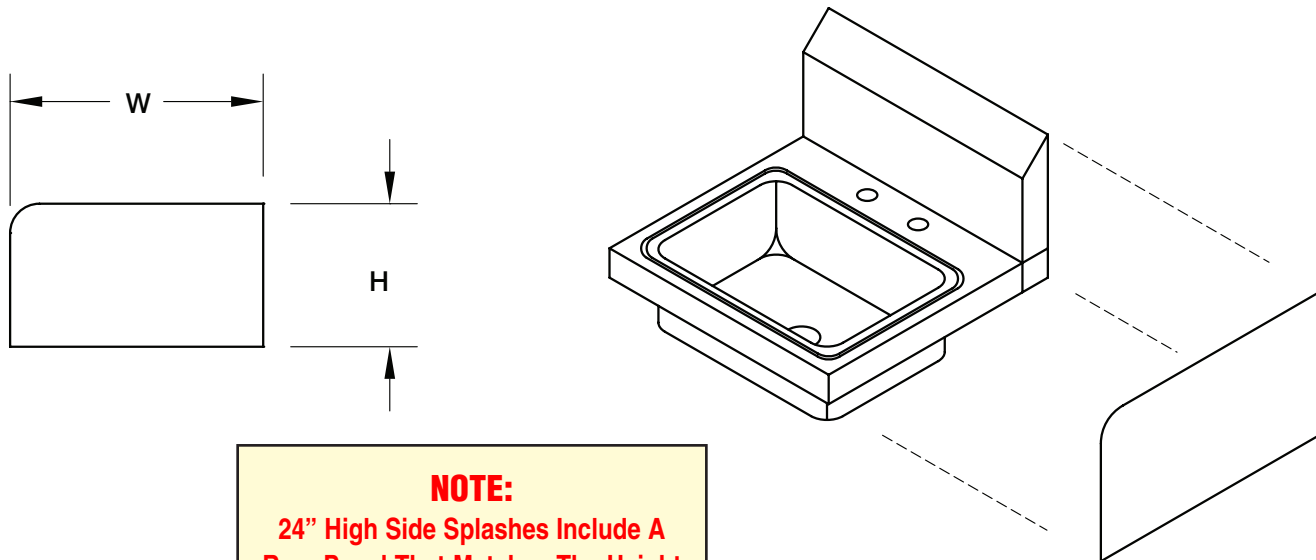
TOL \pm .500"

ALL DIMENSIONS ARE TYPICAL

BOLT-ON SIDE SPLASHES (Hardware Not Included)



WELDED SIDE SPLASHES (Factory Installed Only)



NOTE:

24" High Side Splashes Include A Rear Panel That Matches The Height Of The Side Panels And Is To Be Secured To The Rear Wall.

Rear Panel Mounting Holes Are Provided. (Hardware Not Included).

