



STAINLESS STEEL DEEP DRAW REGALINE SINKS

With 16" x 20" Sink Bowls

YES! It's SeaLess!



FEATURES:

Tile Edge Splash for ease of installation.
 One piece **Deep Drawn** sink bowls with large liberal 3" radius.
"94" Series is supplied with adjustable front and side cross braces featuring leg clamps.
"93" & "9" Series is supplied with adjustable side cross braces featuring leg clamps.

CONSTRUCTION:

All TIG welded.
 Welded areas blended to match adjacent surfaces and to a satin finish.
 Gussets welded to a die-embossed reinforcing channel.

- LEGS:**
- 1 5/8" diameter tubular stainless steel.
 - Stainless steel gussets.
 - Stainless Steel 1" adjustable bullet feet.



93 & 9 SERIES
 One compartment
 No Drainboards

Item #: _____ Qty #: _____
 Model #: _____
 Project #: _____



93 & 9 SERIES
 Three compartment
 Two Drainboards



94 SERIES
 Two Compartment
 Two Drainboards

| Configuration | O.A. L | # of Comp. | Spec-Line | | Standard | | Super Saver | | Cu. Ft. |
|-------------------------------------------|-----------|---------------|-----------------------------------|---------------|-----------------------------------|---------------|-----------------------------------|---------------|------------|
| | | | 94 Series 11" High Splash | | 93 Series 8" High Splash | | 9 Series 8" High Splash | | |
| | | | 14 Ga. 304 S/S 14" Water Level | Wt. (lbs.) | 16 Ga. 304 S/S 12" Water Level | Wt. (lbs.) | 18 Ga. 304 S/S 12" Water Level | Wt. (lbs.) | |
| Model # | Model # | Model # | Model # | Model # | Model # | Model # | Model # | | |
| 1-4 Compartment No Drainboards | 27" | One | 94-1-24 | 77 | 93-1-24 | 62 | 9-1-24 | 54 | 20 |
| | 46" | Two | 94-2-36 | 109 | 93-2-36 | 76 | 9-2-36 | 66 | 20 |
| | 64" | Three | 94-3-54 | 142 | 93-3-54 | 107 | 9-3-54 | 95 | 28 |
| | *83" | Four | 94-4-72 | 225 | 93-4-72 | 176 | 9-4-72 | 155 | 44 |
| 1 Compartment 2 Drainboards | 54" | 18" | 94-1-24-18RL | 97 | 93-1-24-18RL | 82 | 9-1-24-18RL | 71 | 29 |
| | 66" | 24" | 94-1-24-24RL | 118 | 93-1-24-24RL | 95 | 9-1-24-24RL | 95 | 33 |
| | 90" | 36" | 94-1-24-36RL | 164 | 93-1-24-36RL | 134 | 9-1-24-36RL | 134 | 48 |
| 1 Compartment 1 Drainboard | 40" | 18" | 94-1-24-18RorL | 93 | 93-1-24-18RorL | 84 | 9-1-24-18RorL | 65 | 20 |
| | 46" | 24" | 94-1-24-24RorL | 98 | 93-1-24-24RorL | 90 | 9-1-24-24RorL | 73 | 24 |
| | 58" | 36" | 94-1-24-36RorL | 114 | 93-1-24-36RorL | 101 | 9-1-24-36RorL | 78 | 26 |
| 2 Compartment 2 Drainboards | 72" | 18" | 94-2-36-18RL | 141 | 93-2-36-18RL | 118 | 9-2-36-18RL | 100 | 40 |
| | 85" | 24" | 94-2-36-24RL | 156 | 93-2-36-24RL | 130 | 9-2-36-24RL | 110 | 46 |
| | 109" | 36" | 94-2-36-36RL | 212 | 93-2-36-36RL | 169 | 9-2-36-36RL | 144 | 58 |
| 2 Compartment 1 Drainboard | 59" | 18" | 94-2-36-18RorL | 108 | 93-2-36-18RorL | 88 | 9-2-36-18RorL | 72 | 26 |
| | 65" | 24" | 94-2-36-24RorL | s115 | 93-2-36-24RorL | 96 | 9-2-36-24RorL | 80 | 34 |
| | 77" | 36" | 94-2-36-36RorL | 158 | 93-2-36-36RorL | 132 | 9-2-36-36RorL | 115 | 42 |
| 3 Compartment 2 Drainboards | 91" | 18" | 94-3-54-18RL | 230 | 93-3-54-18RL | 189 | 9-3-54-18RL | 182 | 49 |
| | 102" | 24" | 94-3-54-24RL | 248 | 93-3-54-24RL | 197 | 9-3-54-24RL | 190 | 55 |
| | 127" | 36" | 94-3-54-36RL | 275 | 93-3-54-36RL | 239 | 9-3-54-36RL | 208 | 96 |
| 3 Compartment 1 Drainboard | 78" | 18" | 94-3-54-18RorL | 214 | 93-3-54-18RorL | 173 | 9-3-54-18RorL | 167 | 42 |
| | 83" | 24" | 94-3-54-24RorL | 222 | 93-3-54-24RorL | 188 | 9-3-54-24RorL | 177 | 45 |
| | 95" | 36" | 94-3-54-36RorL | 243 | 93-3-54-36RorL | 220 | 9-3-54-36RorL | 190 | 51 |
| 4 Compartment 2 Drainboards | *110" | 18" | 94-4-72-18RL | 210 | 93-4-72-18RL | 183 | 9-4-72-18RL | 175 | 58 |
| | *122" | 24" | 94-4-72-24RL | 275 | 93-4-72-24RL | 252 | 9-4-72-24RL | 241 | 64 |
| | *146" | 36" | 94-4-72-36RL | 313 | 93-4-72-36RL | 287 | 9-4-72-36RL | 274 | 86 |
| 4 Compartment 1 Drainboard | *96" | 18" | 94-4-72-18RorL | 202 | 93-4-72-18RorL | 165 | 9-4-72-18RorL | 158 | 52 |
| | *102" | 24" | 94-4-72-24RorL | 216 | 93-4-72-24RorL | 186 | 9-4-72-24RorL | 175 | 54 |
| | *114" | 36" | 94-4-72-36RorL | 260 | 93-4-72-36RorL | 238 | 9-4-72-36RorL | 227 | 60 |



93 & 9 Series Adjustable Side Cross-Bracing



94 Series Adjustable Side & Front Cross-Bracing



Recessed Bowl Surface Accommodates Poly-Vance Cutting Boards & Sink Covers

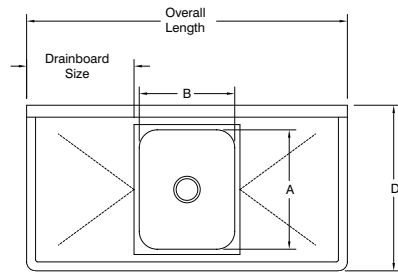
Weights & Cubes Are Approximate

| | | |
|--------------------------|---------------------------------------------------------------------------------------------------------------------------------------------------------------------------------------------------------------------|------------------------------------------------------------------------------------------------------------------|
| www.advancetabco.com | <p>Customer Service Available To Assist You 1-800-645-3166 8:30 am - 7:00 pm E.S.T.</p> <p>For Orders & Customer Service: Email: customer@advancetabco.com or Fax: 631-242-6900</p> | <p>For Smart Fabrication™ Quotes: Email: smartfab@advancetabco.com or Fax: 631-586-2933</p> |
|--------------------------|---------------------------------------------------------------------------------------------------------------------------------------------------------------------------------------------------------------------|------------------------------------------------------------------------------------------------------------------|

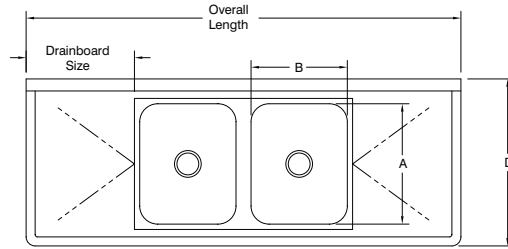
DIMENSIONS and SPECIFICATIONS

TOL Overall: ± .500"
Interior: ± .250"

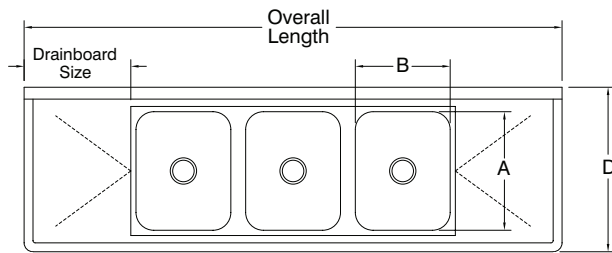
ALL DIMENSIONS ARE TYPICAL



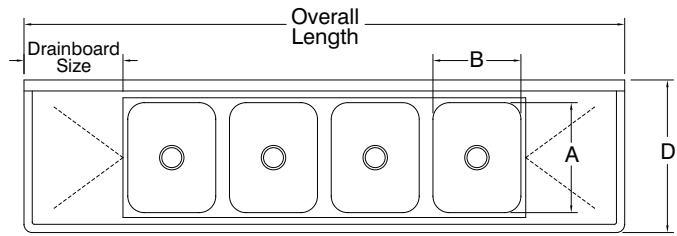
**ONE COMPARTMENT
TWO DRAINBOARDS**



**TWO COMPARTMENTS
TWO DRAINBOARDS**



**THREE COMPARTMENTS
TWO DRAINBOARDS**



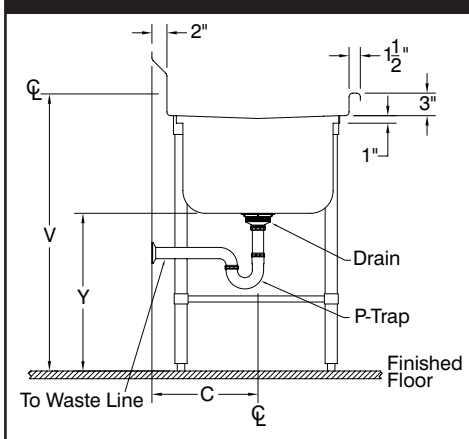
**FOUR COMPARTMENTS
TWO DRAINBOARDS**

DESCRIPTION

| | | | | | | | 94 SERIES | | | | | 9 & 93 SERIES | | | | |
|-----------|--------------------|-----------------|-----|-----|---------|-----|-----------|-----|-----|-----|-----|---------------|----|-----|-----|-----|
| BOWL SIZE | DRBD SIZE | Recommended Use | A | B | C | D | V | W | X | Y | Z | V | W | X | Y | Z |
| 16"x20" | 18" 24" *36" | DISH SINKS | 20" | 16" | 14 1/8" | 28" | 38" | 11" | 14" | 19" | 45" | 38" | 8" | 12" | 21" | 42" |

* Regalines with 36" Drainboards are Supplied with Two Additional Legs (per drainboard) for Support.

PLUMBING ROUGH-IN



MECHANICAL:

- Supply is 1/2" IPS hot & cold.
- Faucet holes on 8" centers.
- Faucets are not included (**see accessories**).
- Waste drains are 1 1/2" IPS S/S basket type, located in center of sink bowl, and are included.



SECTION

