



Installation Instructions for **SCRUB SINKS**



HSS-ADA-1



HSS-ADA-2



HSS-ADA-3

**CHECK FOR CONCEALED DAMAGE
FILE CLAIM WITH DELIVERING FREIGHT CARRIER**

Sinks manufactured by **ADVANCE TABCO**® are designed and constructed for the use of liquid containment. Suggested applications: Hand Washing. **ADVANCE TABCO**® does not recommend product use for activities employing harsh and active chemicals. Please consult factory regarding unusual applications.

CONTENTS INCLUDE:

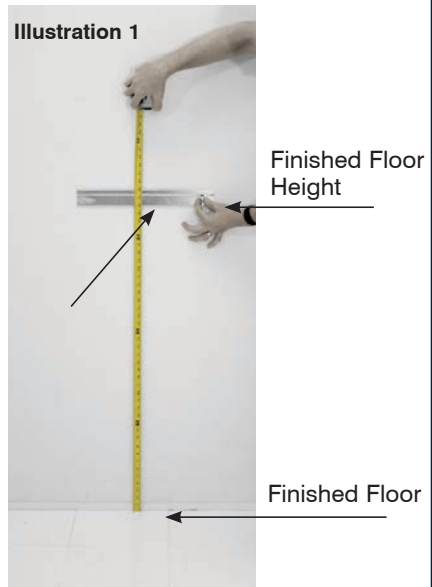
- 1 Hand Sink
- Wall Mounting Clip (Quantity based on model)
(Wall mounting hardware not included)
- Concealer Cover (Quantity based on model)
- Drain Assembly (Quantity based on model)

TOOLS REQUIRED:

- Tape Measure
- Adjustable Wrench
- Drill Motor & Drill Bits
- Pipe Wrench
- Level
- Safety Glasses

Step 1:

Identify Scrub Sink location on wall. Determine Above Finished Floor Height (A.F.F.) and draw level line which will be the top edge of wall mounting bracket. Mark (2) slotted holes of wall mounting bracket and secure to wall.
(Hardware not provided)



Step 2:

Install faucet and drain assembly to Scrub Sink.

Step 3:

Position Hand Sink onto Wall Mounting Clip(s). Secure to wall using remaining slotted holes on back of sink body (**Illustration 2**).

IMPORTANT NOTE: Do not hang Scrub Sink on wall bracket alone.

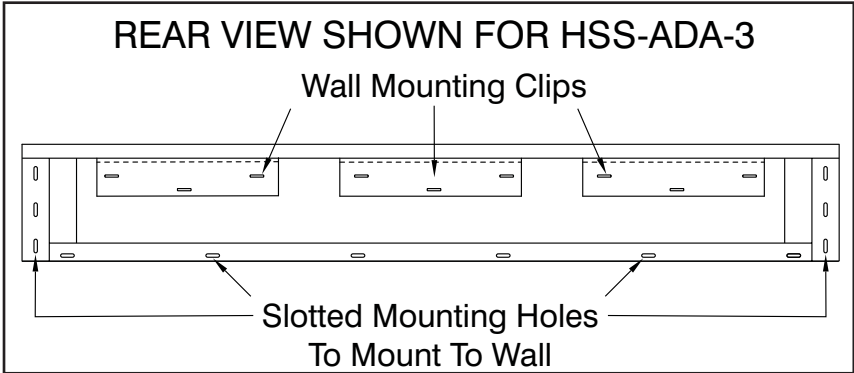


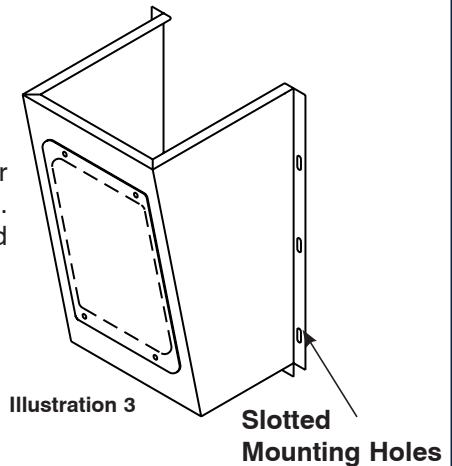
Illustration 2

Step 4:

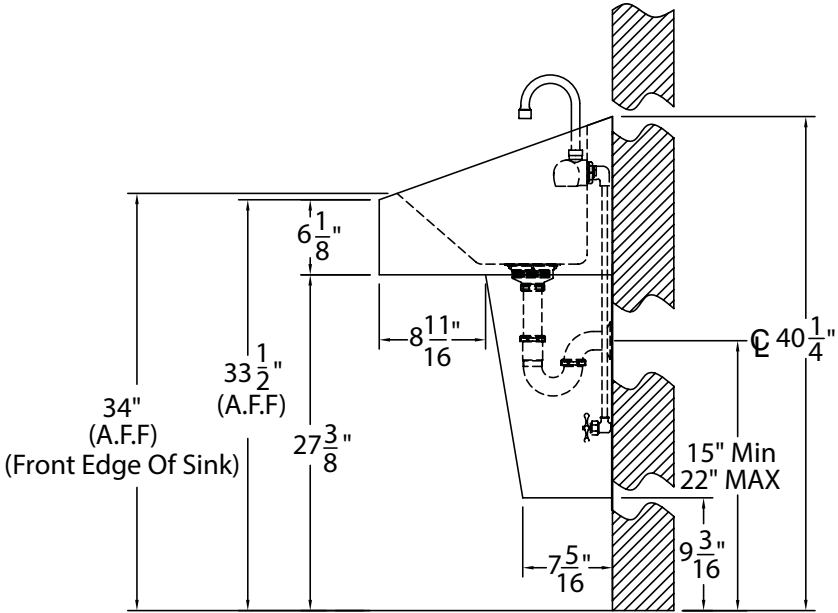
Connect water and waste supply lines. Remove aerator and flush water system. Check connection for leaks.

Step 5:

Install plumbing cover. Place cover tightly against bottom of sink bowl. Secure to wall using supplied slotted holes (Hardware not included) (**Illustration 3**).



Plumbing Rough-Ins



STILL NEED HELP?
CALL: 800-645-3166
or email us:
customer@advancetabco.com

