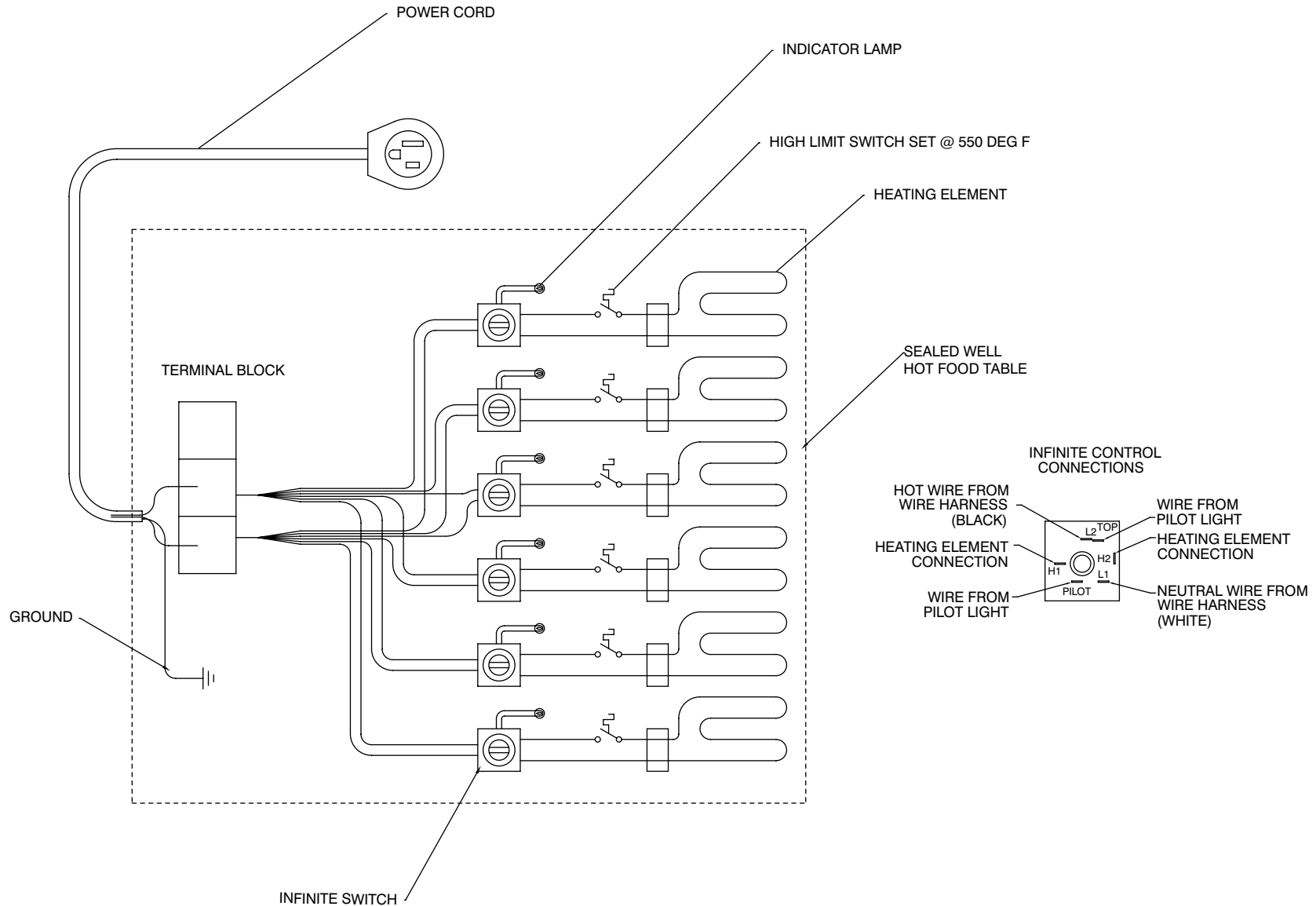




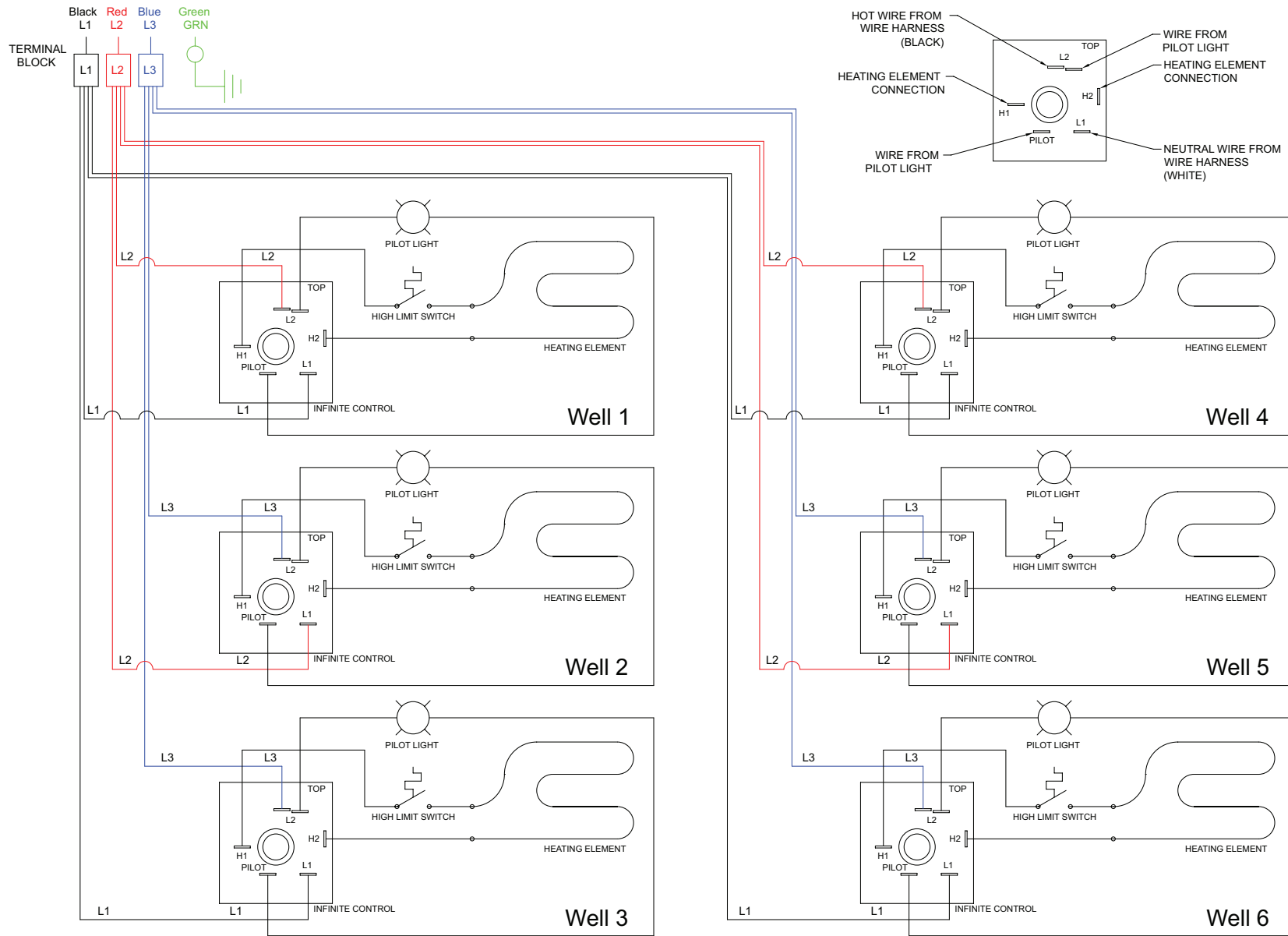
# SINGLE PHASE WIRING DIAGRAM FOR SW SERIES ELECTRIC HOT FOOD TABLES



**For Additional Assistance, Please Call Customer Service At: 1-800-645-3166**



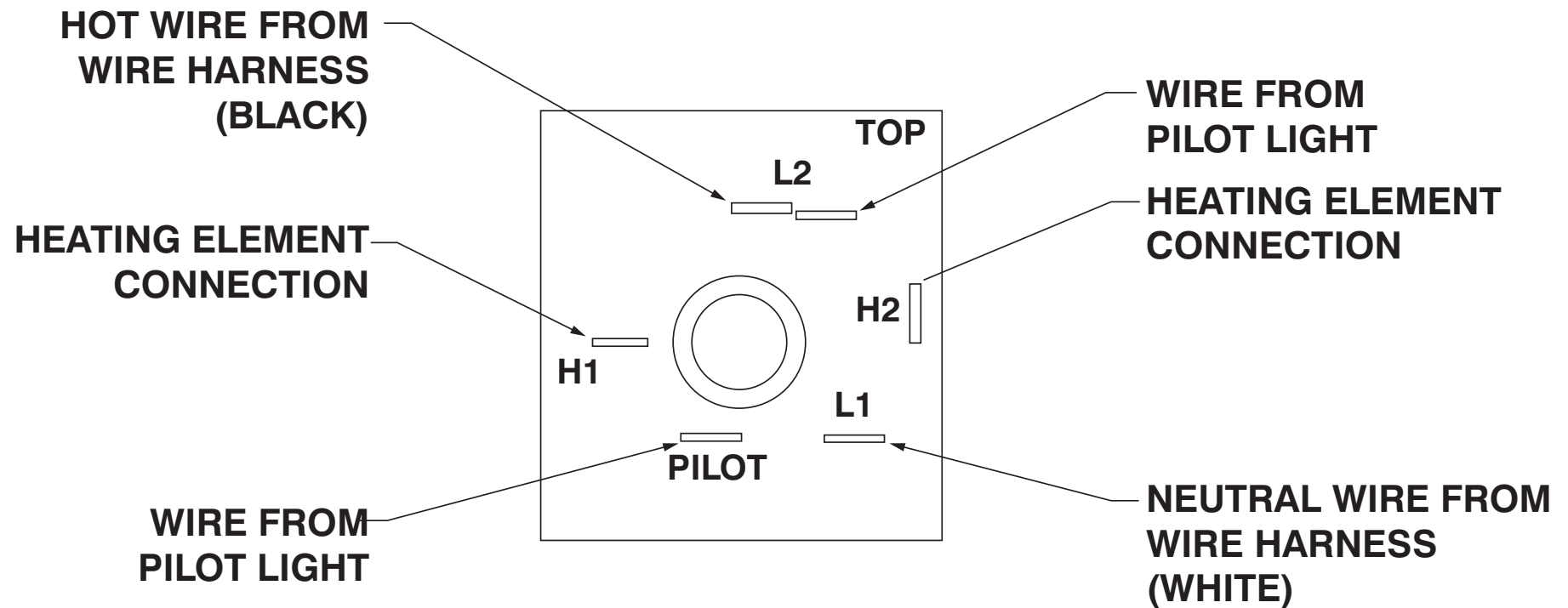
# 3-PHASE WIRING DIAGRAM FOR SW SERIES ELECTRIC HOT FOOD TABLES



**For Additional Assistance, Please Call Customer Service At: 1-800-645-3166**



# WIRING DIAGRAM FOR SW SERIES ELECTRIC HOT FOOD TABLES INFINITE SWITCH



**For Additional Assistance, Please Call Customer Service At: 1-800-645-3166**