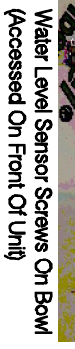
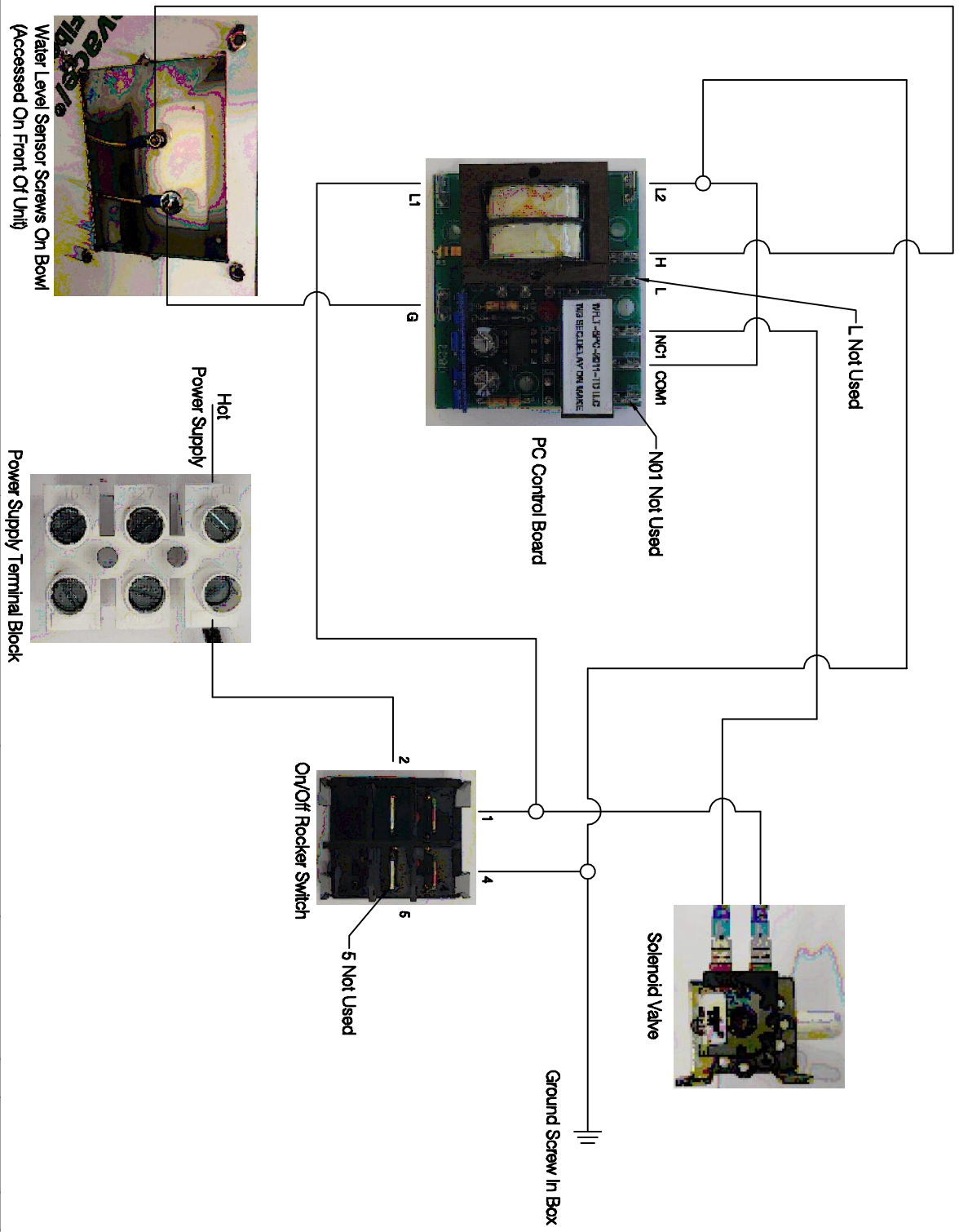
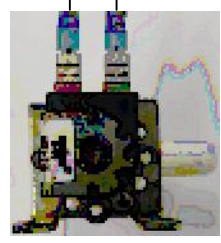
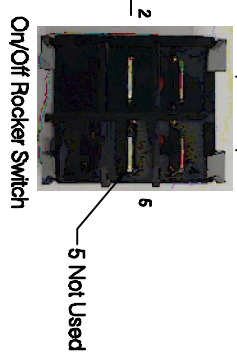
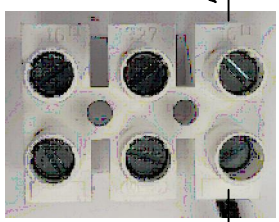


Quantity: -



Power Supply Terminal Block



ADVANCE TABCO
325 Wireless Blvd.
Hauppauge, NY 11788
Tel: 800-845-3166
Fax: 631-242-4589
cad@advancetabco.com

Customer:	Order / Quotes#	Sheet #	Original Drawing Date:	NO.	Revision	Date:	By:	Print Approval:
Job Name:	Model #	1 / 1	3/17/23	1				Accessory Locations MUST Be Verified Prior To Unit Being Fabricated
Purchase Order #:	Drawn By:	1	N/A	2				
	T. Anderson	Scale:	Tolerance:	3				
FACTORY USE ONLY:	WELDING:	Final Inspection:	Scale:	4				Approved By
1) Date:	Inspected By:	2) Date:	NTS	5				Date
			NSF					