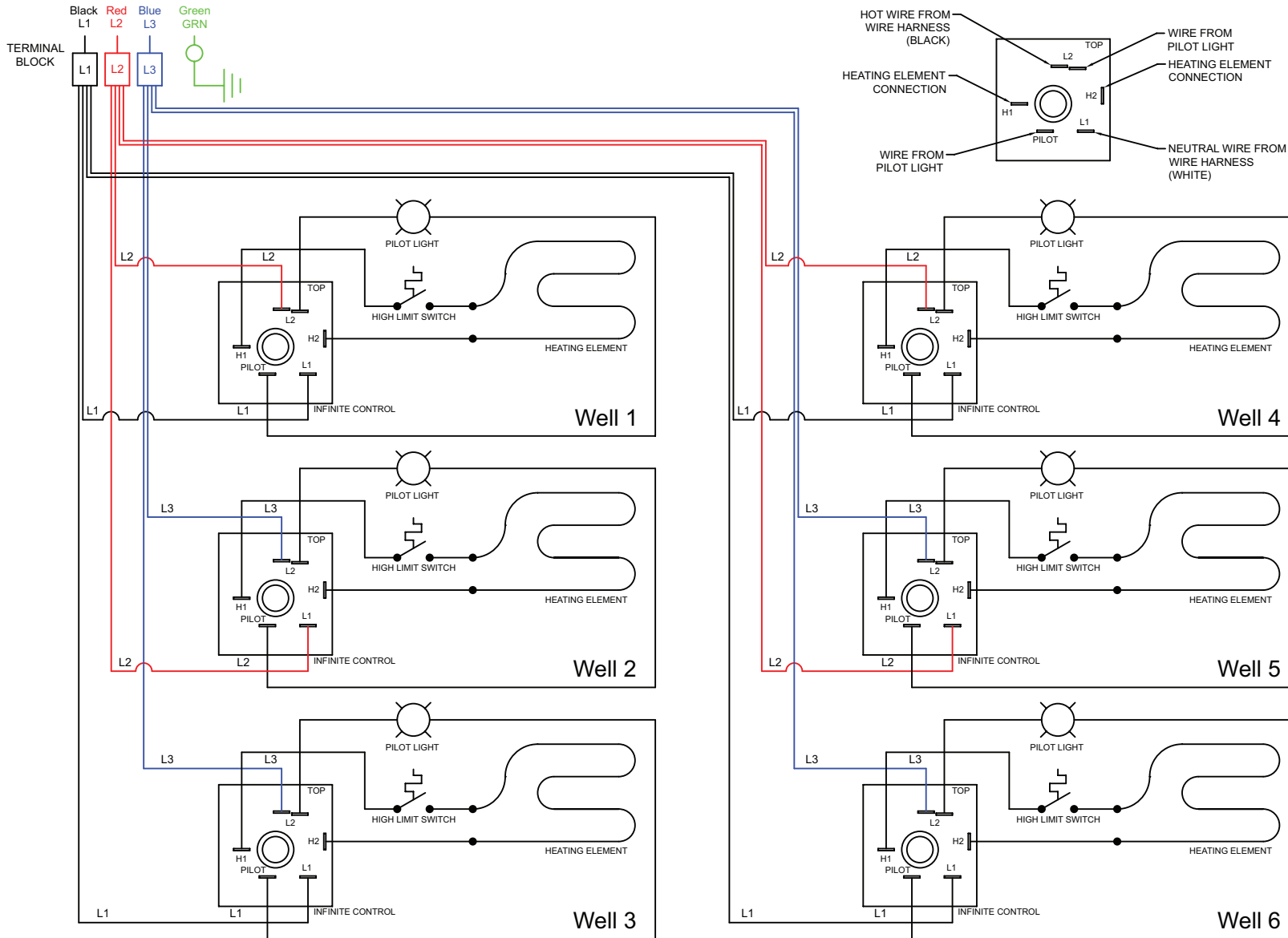


3-PHASE WIRING ELECTRICAL DIAGRAM

Model # SU-72



For Additional Assistance, Please Call Customer Service At: 1-800-645-3166