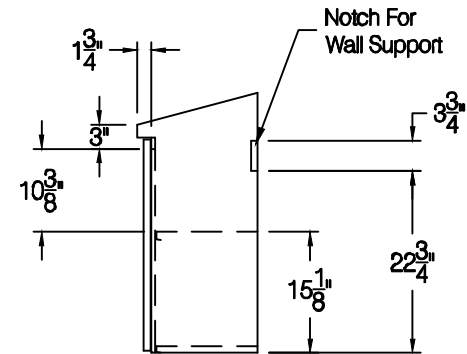
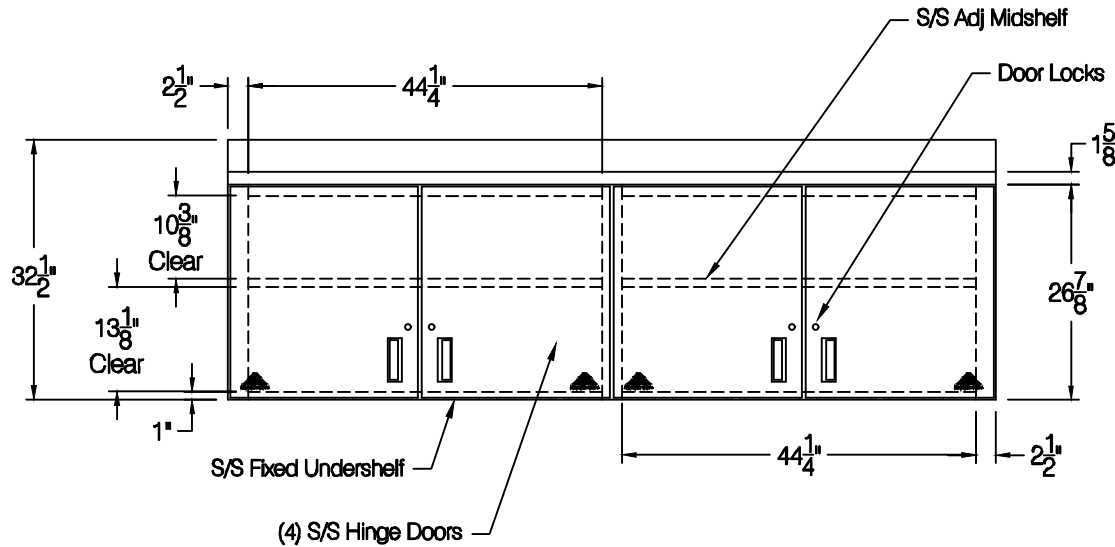
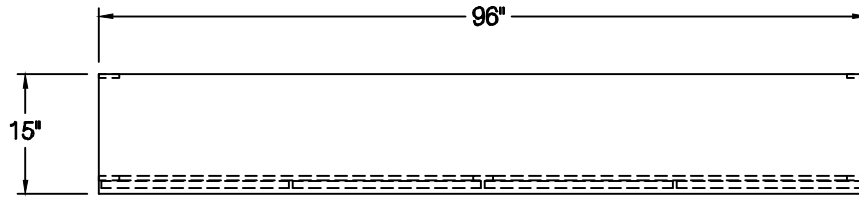


Quantity:



ADVANCE TABCO 325 Wireless Blvd. Hauppauge, NY 11788 Tel: 800-645-3166 Fax: 631-242-4589 cad@advancetabco.com	Customer:	Order / Quote # 4261	Sheet #	Original Drawing Date:	NO.	Revision Date:	By:	Print Approval:
	Job Name:	Model # WCH-15-96	Item #	Material: 18 GA. 430 S/S	1			Accessory Locations MUST Be Verified Prior To Unit Being Fabricated
	Purchase Order # :	Drawn By: E. Mencarelli	Scale: 1/2" = 12"	Tolerance: +.500 -.500	2			
	FACTORY USE ONLY: WELDING: 1) Date: _____ Inspected By: _____ 2) Date: _____ Inspected By: _____ Final Inspection: 1) Date: _____ Inspected By: _____ 2) Date: _____ Inspected By: _____					3		
						4		
					5			Approved By _____ Date _____

