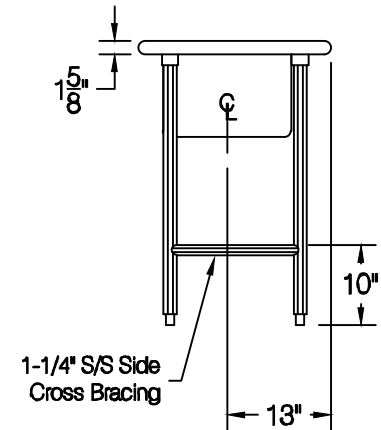
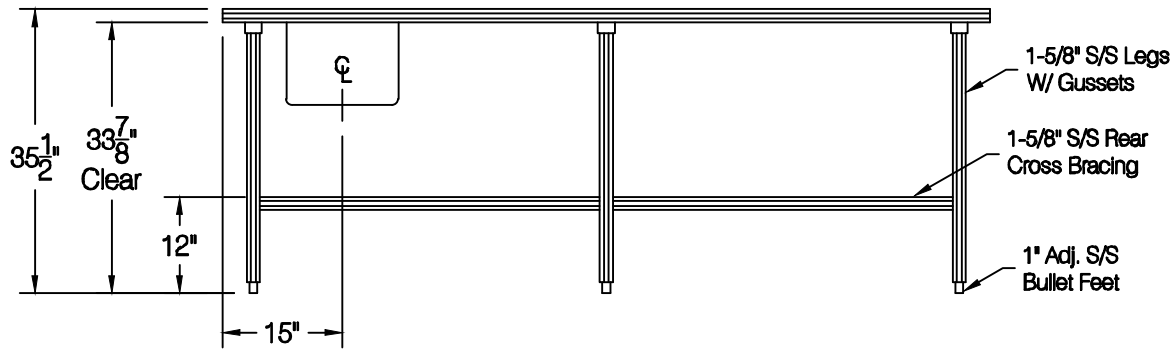
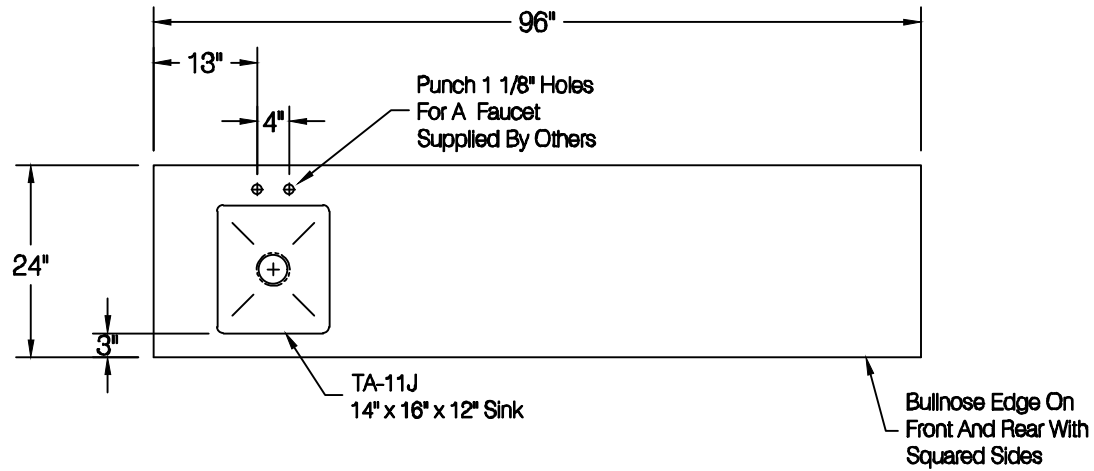


Quantity:



ADVANCE TABCO
 325 Wireless Blvd.
 Hauppauge, NY 11788
 Tel: 800-645-3166
 Fax: 631-242-4589
 cad@advancetabco.com

Customer:	Order / Quote #	Sheet #		Original Drawing Date:		NO.	Revision Date:	By:	Print Approval:	
	4260					1				
	Job Name:	Model #	Item #	Material:		2				Accessory Locations MUST Be Verified Prior To Unit Being Fabricated
		TMS-248 / TA-11J		16 GA. 304 S/S		3				
	Purchase Order # :	Drawn By:	Scale:	Tolerance:		4				
	E. Mencarelli	1/2" = 12"	+.500 -.500		5					
FACTORY USE ONLY:	WELDING:		Final Inspection:							
	1) Date: _____ Inspected By: _____ 2) Date: _____ Inspected By: _____		1) Date: _____ Inspected By: _____ 2) Date: _____ Inspected By: _____		Approved By _____ Date _____					

