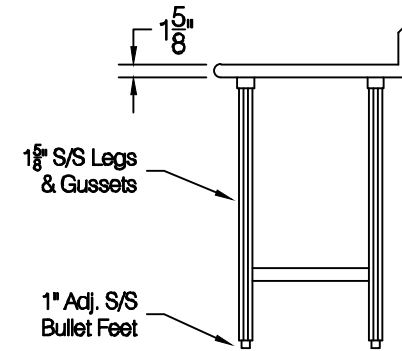
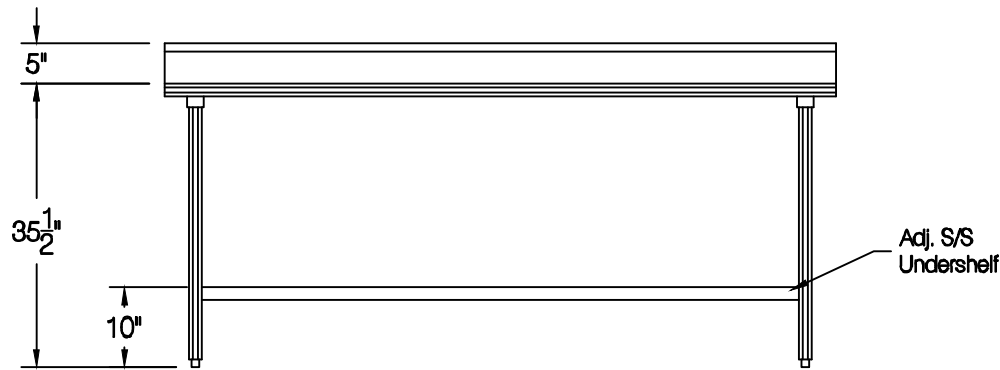
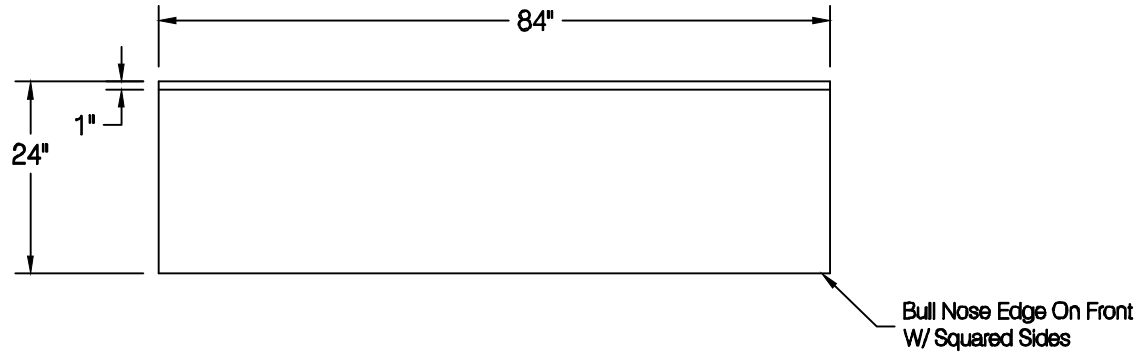


Quantity:

UNIT WELDED SETUP



ADVANCE TABCO
325 Wireless Blvd.
Hauppauge, NY 11788
Tel: 800-645-3166
Fax: 631-242-4589
cad@advancetabco.com

| | | | | | | | | | | | | | |
|------------------------------|-----------------|--------------------|-------------------|---------------|------------------------------------|------------------------------------|-------------------|------------------------------------|-----------------|--|------------------------------------|---|--|
| Customer: | Order / Quote # | 4245 | | Sheet # | Original Drawing Date: | NO. | Revision Date: | By: | Print Approval: | | | | |
| | Job Name: | Model # | KMS-247 / TA-23 | | Item # | Material: | 1 | | | Accessory Locations MUST Be Verified Prior To Unit Being Fabricated | | | |
| | | Purchase Order # : | Drawn By: | E. Mencarelli | | Scale: | Tolerance: | 2 | | | | | |
| | | | FACTORY USE ONLY: | WELDING: | 1) Date: _____ Inspected By: _____ | 2) Date: _____ Inspected By: _____ | Final Inspection: | 1) Date: _____ Inspected By: _____ | | | 2) Date: _____ Inspected By: _____ | 3 | |
| | | | | | | | | | | | | 4 | |
| 5 | | | | | | | | | | | | | |
| Approved By _____ Date _____ | | | | | | | | | | | | | |

