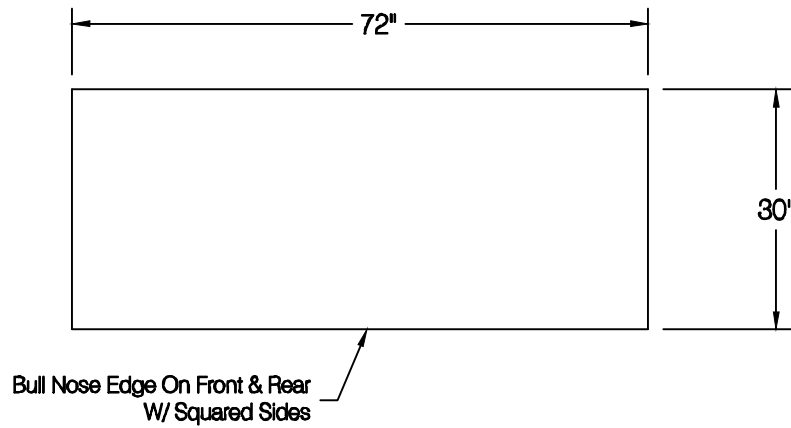
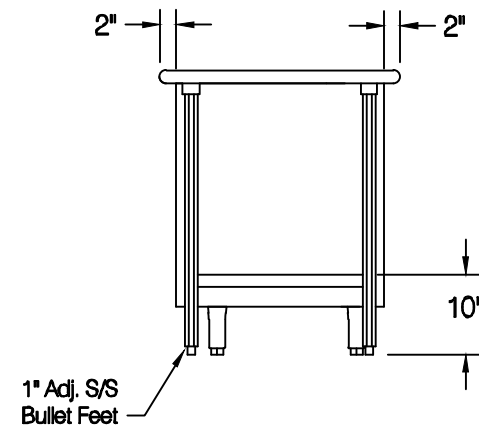
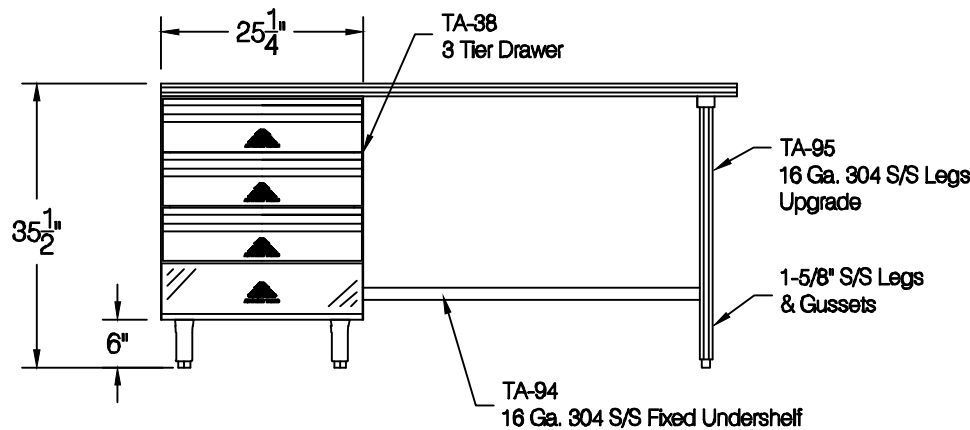


Quantity:



This Unit Is Supplied With:  
\* TA-23 Welded Set Up



**ADVANCE TABCO**  
325 Wireless Blvd.  
Hauppauge, NY 11788  
Tel: 800-645-3166  
Fax: 631-242-4589  
cad@advancetabco.com

|                      |   |  |                              |     |                |     |  |                              |
|----------------------|---|--|------------------------------|-----|----------------|-----|--|------------------------------|
| Customer:            | Order / Quote #<br><b>4236</b>  | Sheet #  | Original Drawing Date:       | NO. | Revision Date: | By: | Print Approval:  |                              |
| Job Name:            | Model #<br>SS-306 / TA-23 / TA-38   | Item #   | Material:<br>14 GA.304S/S    | 1   |                |     | Accessory Locations MUST Be<br>Verified Prior To Unit Being Fabricated |                              |
| Purchase Order # :   | Drawn By:<br>E.Mencarelli   | Scale:<br>1/2" = 12"   | Tolerance:<br>+.500<br>-.500 | 2   |                |     |  |                              |
| FACTORY<br>USE ONLY: | WELDING:<br>1) Date: _____ Inspected By: _____ 2) Date: _____ Inspected By: _____ | Final Inspection:<br>1) Date: _____ Inspected By: _____ 2) Date: _____ Inspected By: _____ | NSF                          | 3   |                |     |  | Approved By _____ Date _____ |
|                      |   |  |                              | 4   |                |     |  |                              |
|                      |   |  |                              | 5   |                |     |  |                              |
|                      |   |  |                              |     |                |     | Approved By _____ Date _____   |                              |