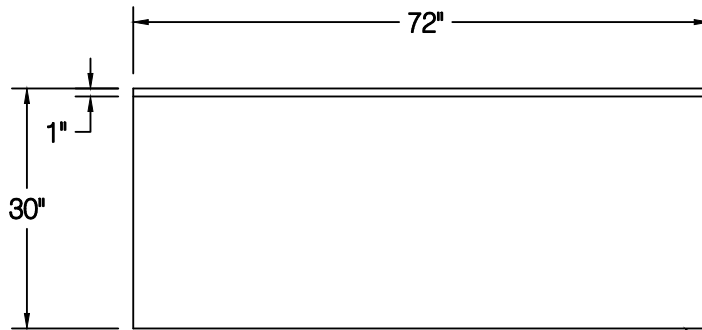
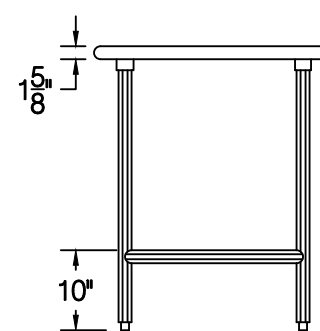
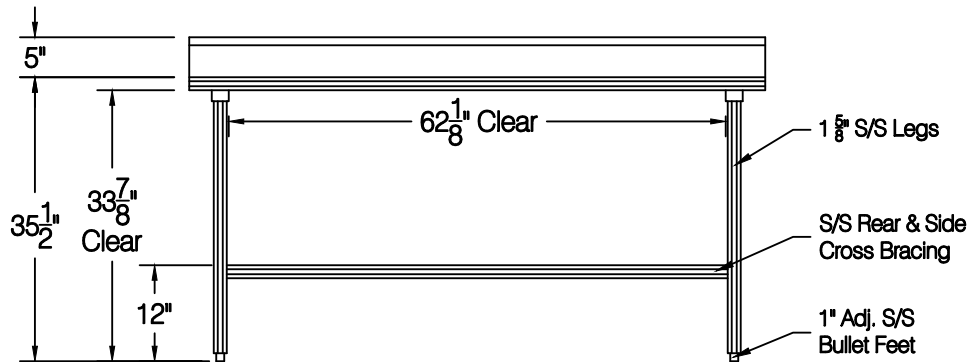


Quantity:

UNIT IS WELDED & CRATED SETUP



Bull Nose Edge On Front
W/ Square Sides



ADVANCE TABCO
325 Wireless Blvd.
Hauppauge, NY 11788
Tel: 800-645-3166
Fax: 631-242-4589
cad@advancetabco.com

Customer:	Order / Quote# 4230	Sheet #	Original Drawing Date:	NO.	Revision Date:	By:	Print Approval:	
Job Name:	Model # TKSS-306 / TA-23	Item #	Material: 14 GA.304S/S	1			Accessory Locations MUST Be Verified Prior To Unit Being Fabricated	
Purchase Order # :	Drawn By: E.Mencarelli	Scale: 1/2" = 12"	Tolerance: +.500 -.500	2				
FACTORY USE ONLY:	WELDING: 1) Date: _____ Inspected By: ____ 2) Date: _____ Inspected By: ____	Final Inspection: 1) Date: _____ Inspected By: ____ 2) Date: _____ Inspected By: ____	NSF	3				Approved By _____ Date _____
				4				
				5				
							Approved By _____ Date _____	