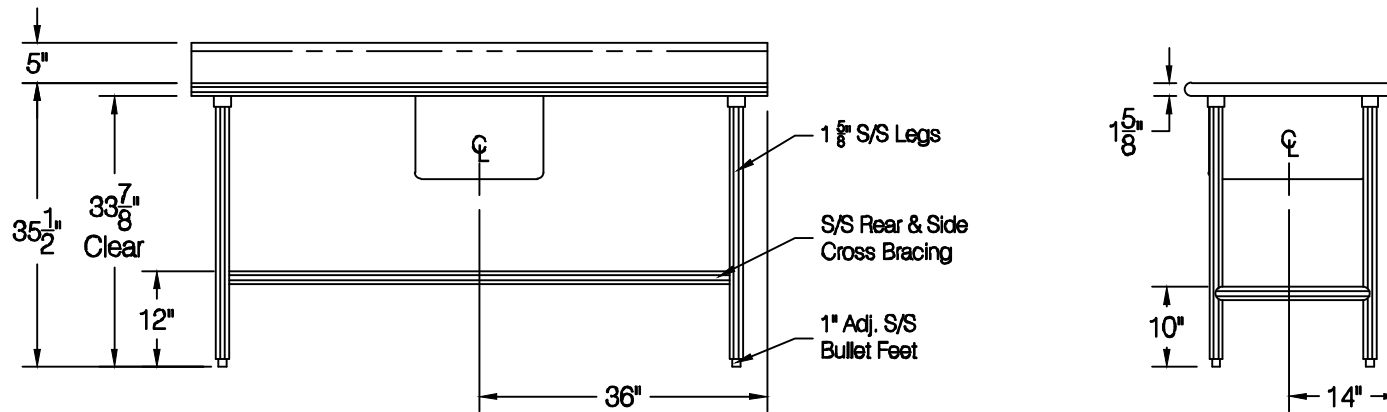
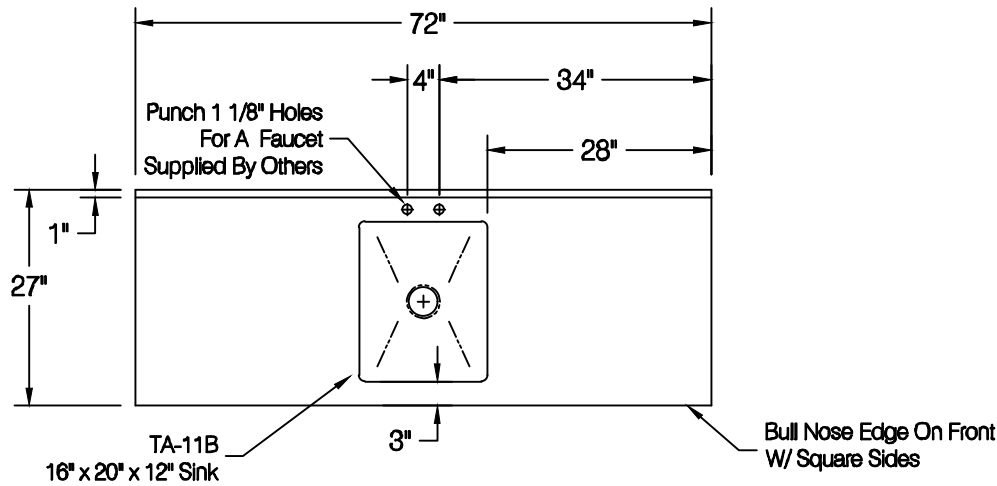


Quantity:



**ADVANCE TABCO**  
 325 Wireless Blvd.  
 Hauppauge, NY 11788  
 Tel: 800-645-3166  
 Fax: 631-242-4589  
 cad@advancetabco.com

Customer:	Order / Quote #	Sheet #	Original Drawing Date:	NO.	Revision Date:	By:	Print Approval:	
	4227			1				
	Job Name:	Model #	Item #	Material:	2			Accessory Locations MUST Be Verified Prior To Unit Being Fabricated
		TKMS-306 / TA-61 / TA-11B		16 GA.304S/S	3			
	Purchase Order # :	Drawn By:	Scale:	Tolerance:	4			
	E.Mencarelli	1/2" = 12"	+ .500 - .500	5				
FACTORY USE ONLY:	WELDING:	Final Inspection:					Approved By _____ Date _____	
	1) Date: _____ Inspected By: _____ 2) Date: _____ Inspected By: _____	1) Date: _____ Inspected By: _____ 2) Date: _____ Inspected By: _____						

