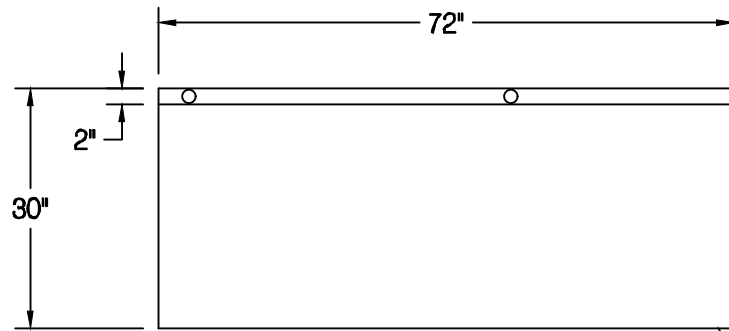
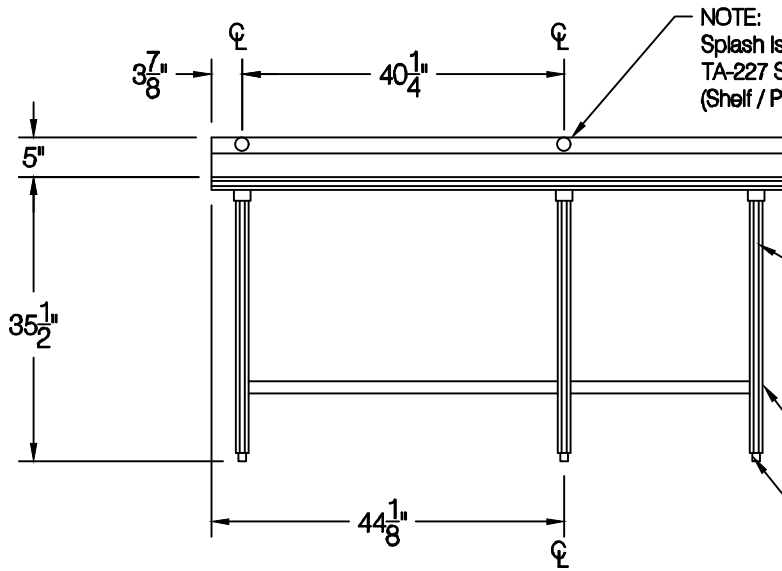
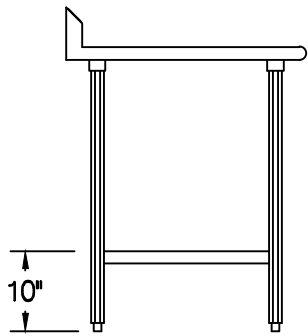


Quantity:



Bull Nose Edge On Front
W/ Squared Sides



NOTE:
Splash Is Modified To Accept A
TA-227 Splash Mount Shelf / Pt Rack Mounting Modification
(Shelf / Pot Rack Must Be Ordered Separately)

1 5/8" S/S Legs
& Gussets

S/S Fixed Undershef
Bolted To The Legs

1" Adj. S/S
Bullet Feet

ADVANCE TABCO
325 Wireless Blvd.
Hauppauge, NY 11788
Tel: 800-645-3166
Fax: 631-242-4589
cad@advancetabco.com

Customer:	Order / Quote # 4224	Sheet #	Original Drawing Date:	NO.	Revision Date:	By:	Print Approval:
Job Name:	Model # KSS-306 / TA-227	Item #	Material: 14 GA.304S/S	1			Accessory Locations MUST Be Verified Prior To Unit Being Fabricated
Purchase Order # :	Drawn By: E. Mencarelli	Scale: 1/2" = 12"	Tolerance: +.500 -.500	2			
FACTORY USE ONLY:	WELDING: 1) Date: _____ Inspected By: _____ 2) Date: _____ Inspected By: _____	Final Inspection: 1) Date: _____ Inspected By: _____ 2) Date: _____ Inspected By: _____	NSF	3			Approved By _____ Date _____
				4			Approved By _____ Date _____
				5			