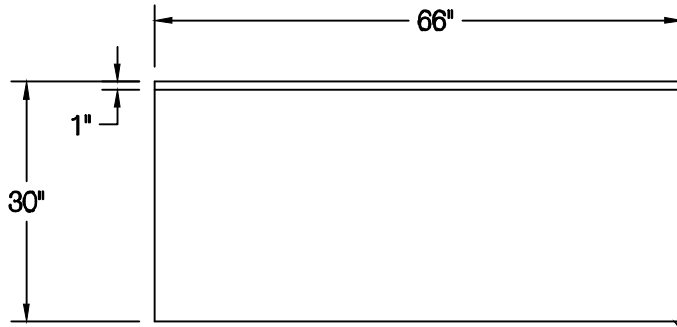
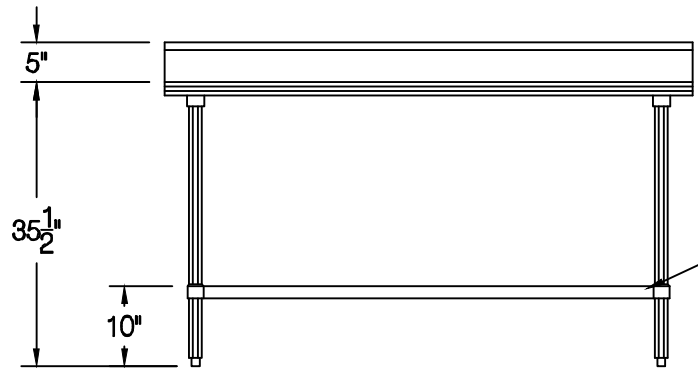


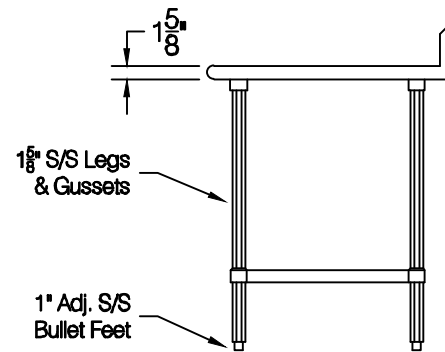
Quantity:



Bull Nose Edge On Front
W/ Squared Sides



Adj. S/S
Undershelf



1 5/8" S/S Legs
& Gussets

1" Adj. S/S
Bullet Feet

ADVANCE TABCO
325 Wireless Blvd.
Hauppauge, NY 11788
Tel: 800-645-3166
Fax: 631-242-4589
cad@advancetabco.com

Customer:	Order / Quote #	Sheet #		Original Drawing Date:	NO.	Revision Date:	By:	Print Approval:	
	4222				1				Accessory Locations MUST Be Verified Prior To Unit Being Fabricated
	Job Name:	Model #	Item #	Material:	2				
		KSS-306 / TA-61		14 GA.304S/S	3				
	Purchase Order # :	Drawn By:	Scale:	Tolerance:	4				
	E. Mencarelli	1/2" = 12"	+ .500 - .500	5					
FACTORY USE ONLY:	WELDING:		Final Inspection:						
	1) Date: _____ Inspected By: _____ 2) Date: _____ Inspected By: _____		1) Date: _____ Inspected By: _____ 2) Date: _____ Inspected By: _____		Approved By _____ Date _____				

