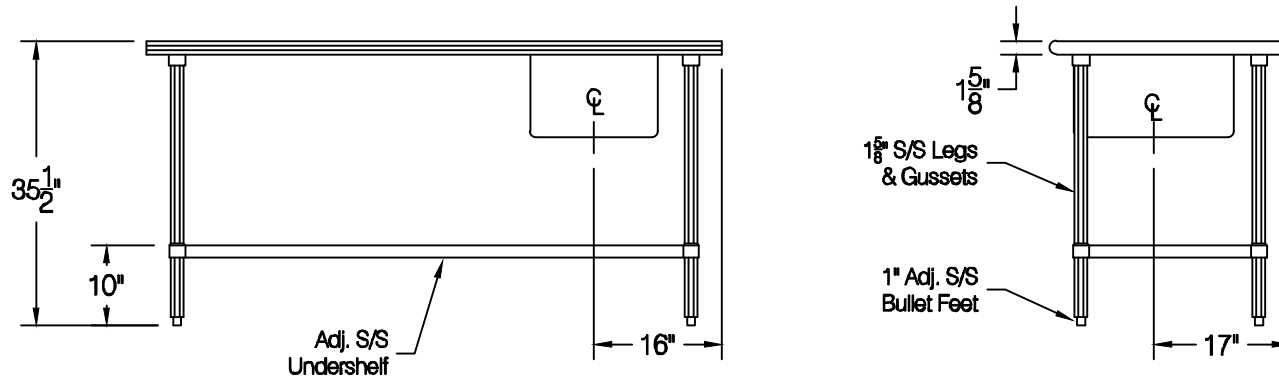
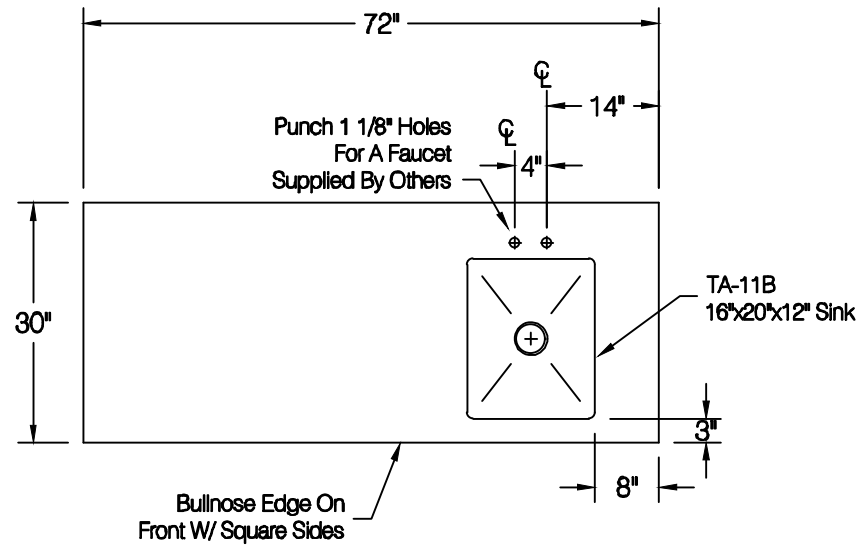


Quantity:



ADVANCE TABCO
 325 Wireless Blvd.
 Hauppauge, NY 11788
 Tel: 800-645-3166
 Fax: 631-242-4589
 cad@advancetabco.com

| | | | | | | | |
|--------------------------|-----------------------------------------------------------------------------------|--------------------------------------------------------------------------------------------|--------------------------------|-----|----------------|-----|---------------------------------------------------------------------|
| Customer: | Order / Quote # 4218 | Sheet # | Original Drawing Date: | NO. | Revision Date: | By: | Print Approval: |
| Job Name: | Model # MS-306 / TA-11B | Item # | Material: 16 GA. 430 S/S | 1 | | | Accessory Locations MUST Be Verified Prior To Unit Being Fabricated |
| Purchase Order # : | Drawn By: E. Mencarelli | Scale: 1/2" = 12" | Tolerance: + .500 - .500 | 2 | | | |
| FACTORY USE ONLY: | WELDING: 1) Date: _____ Inspected By: _____ 2) Date: _____ Inspected By: _____ | Final Inspection: 1) Date: _____ Inspected By: _____ 2) Date: _____ Inspected By: _____ | | 3 | | | Approved By _____ Date _____ |
| | | | | 4 | | | |
| | | | | 5 | | | |

