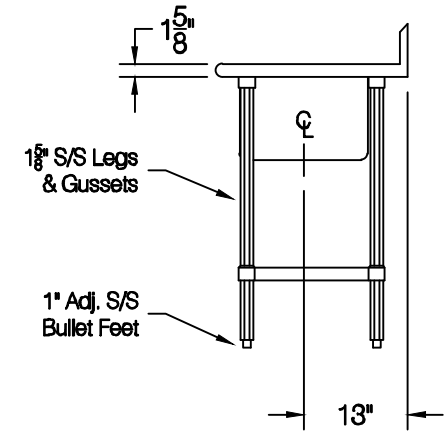
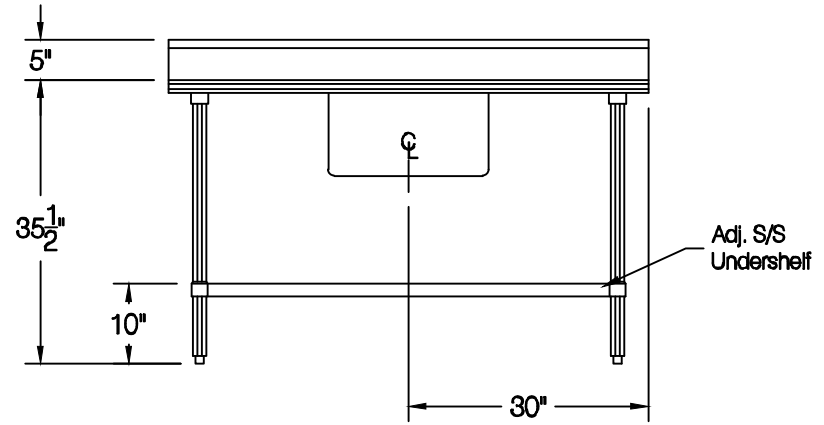
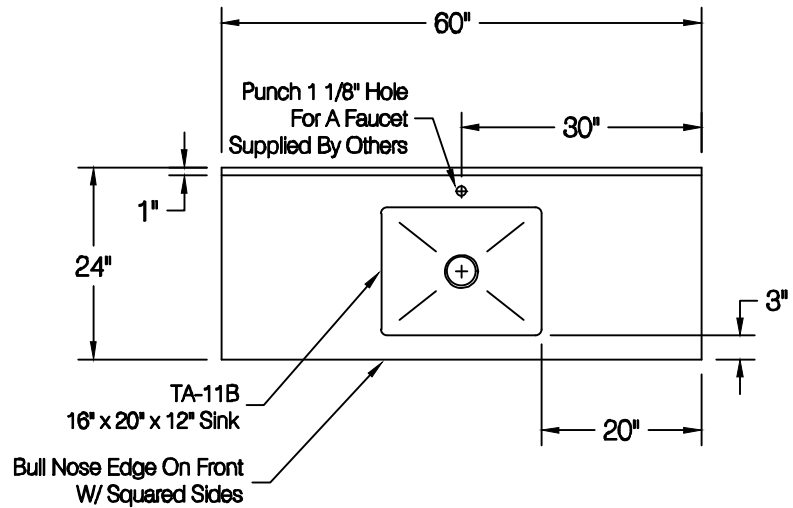


Quantity:



Customer:	Order / Quote # 4211	Sheet #	Original Drawing Date: 10/5/2023	NO.	Revision Date:	By:	Print Approval:
Job Name:	Model # KSS-245 / TA-11B / K-472	Item #	Material: 14 GA. 304S/S	1			Accessory Locations MUST Be Verified Prior To Unit Being Fabricated
Purchase Order # :	Drawn By: E. Mencarelli	Scale: 1/2" = 12"	Tolerance: + .500 - .500	2			
FACTORY USE ONLY:	WELDING: 1) Date: _____ Inspected By: _____ 2) Date: _____ Inspected By: _____	Final Inspection: 1) Date: _____ Inspected By: _____ 2) Date: _____ Inspected By: _____	NSF	3			Approved By _____ Date _____
				4			Approved By _____ Date _____
				5			Approved By _____ Date _____