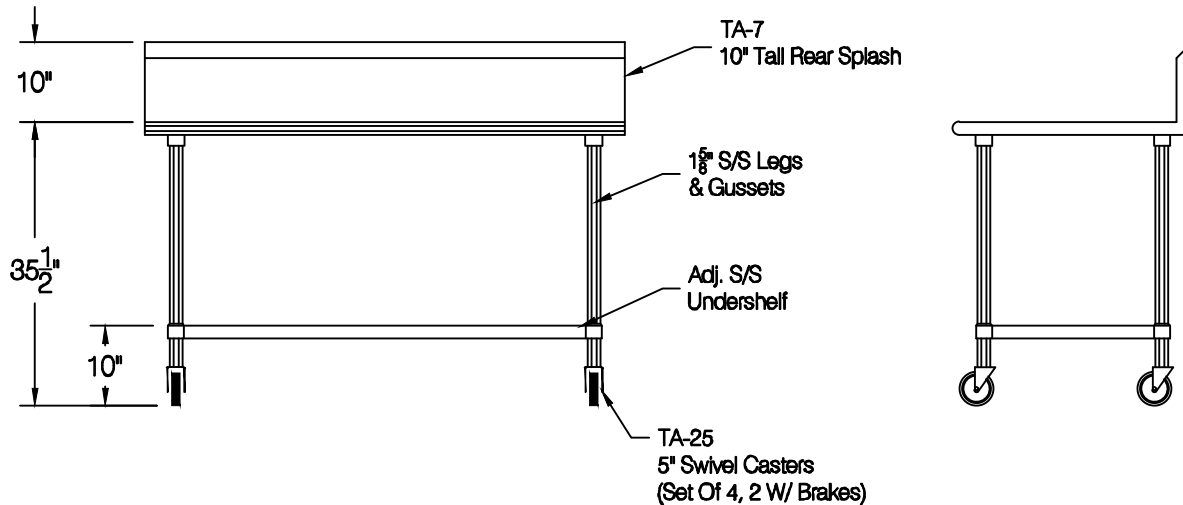
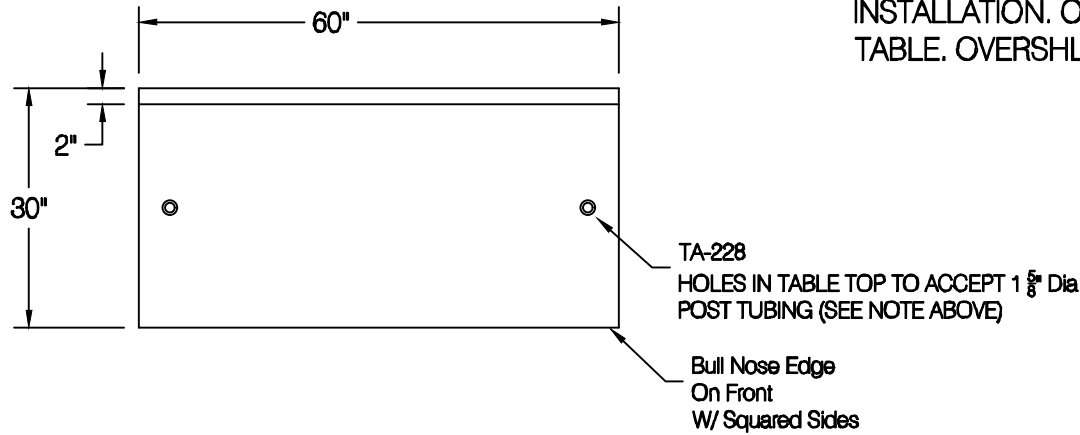


Quantity:

NOTE:  
TABLE IS PREPARED FOR MID MOUNT (TA-228) OVER SHELF / POT RACK  
INSTALLATION. OVER SHELF / POT RACK IS NOT INCLUDE WITH THIS  
TABLE. OVERSHLF / POT RACK MUST BE ORDER SEPARATELY



<b>Customer:</b> <b>Job Name:</b> <b>Purchase Order # :</b> <b>FACTORY USE ONLY:</b>	<b>Order / Quote#</b> <b>4210</b>	<b>Sheet #</b>  	<b>Original Drawing Date:</b> <b>10/5/2023</b>	<b>NO.</b> <b>1</b>	<b>Revision Date:</b>  	<b>By:</b>  	<b>Print Approval:</b>  
	<b>Model #</b> <b>MS-305 / TA-228 / TA7</b>	<b>Item #</b>  	<b>Material:</b> <b>16 GA. 304S/S</b>	<b>2</b>	 	 	<b>Accessory Locations MUST Be Verified Prior To Unit Being Fabricated</b>
	<b>Drawn By:</b> <b>E.Mencarelli</b>	<b>Scale:</b> <b>1/2" = 12"</b>	<b>Tolerance:</b> <b>+ .500</b> <b>- .500</b>	<b>3</b>	 	 	
	<b>WELDING:</b> <b>1) Date: _____ Inspected By: _____</b> <b>2) Date: _____ Inspected By: _____</b>	<b>Final Inspection:</b> <b>1) Date: _____ Inspected By: _____</b> <b>2) Date: _____ Inspected By: _____</b>		<b>4</b>	 	 	
				<b>5</b>	 	 	
						<b>Approved By</b> _____	<b>Date</b> _____
						<b>Approved By</b> _____	<b>Date</b> _____

